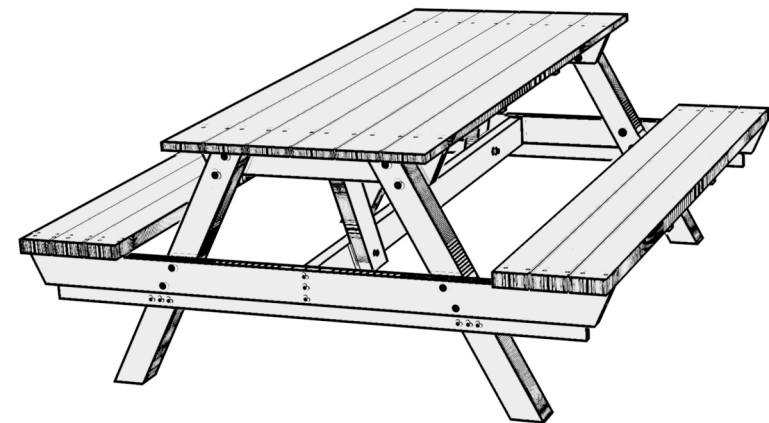
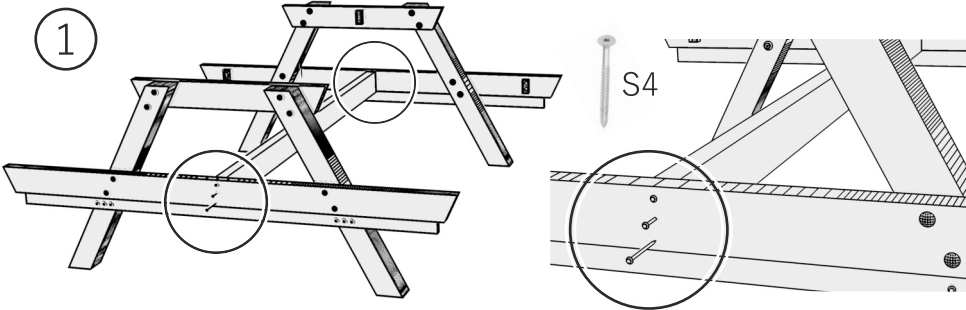
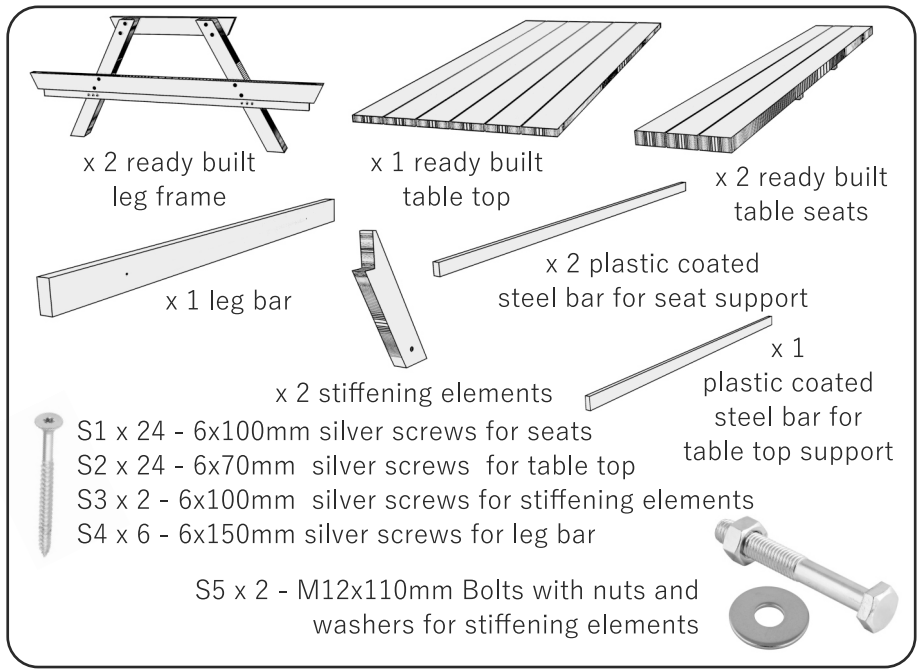


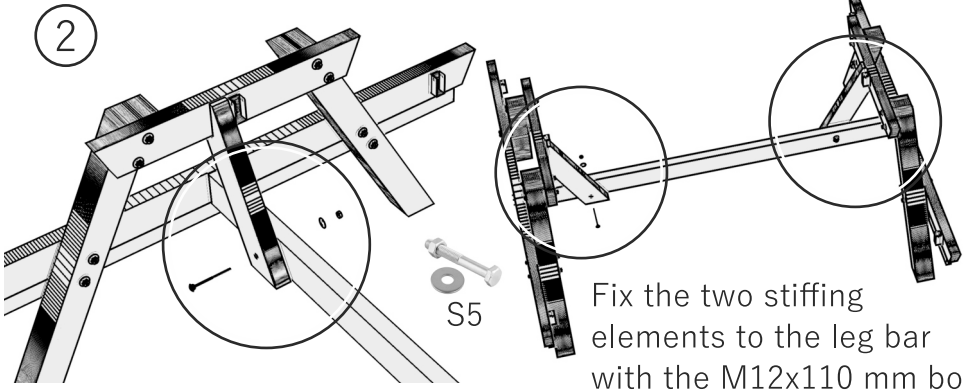
# EXTRA LARGE TABLE

INSTRUCTION MANUAL

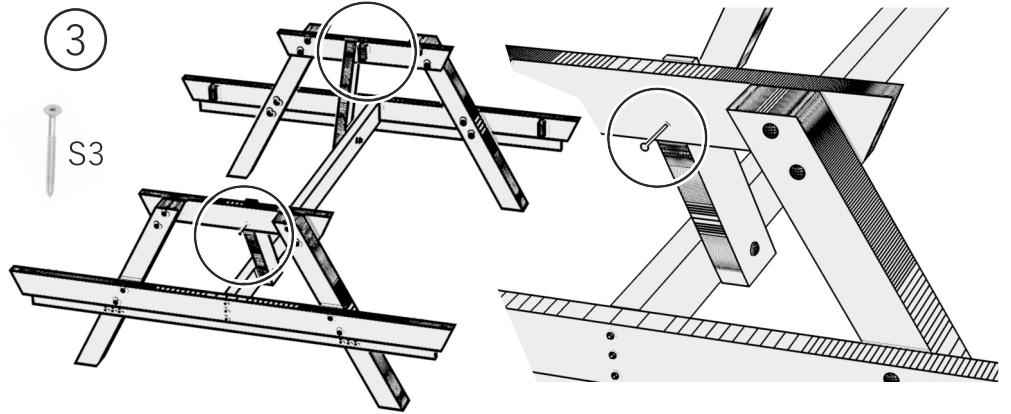




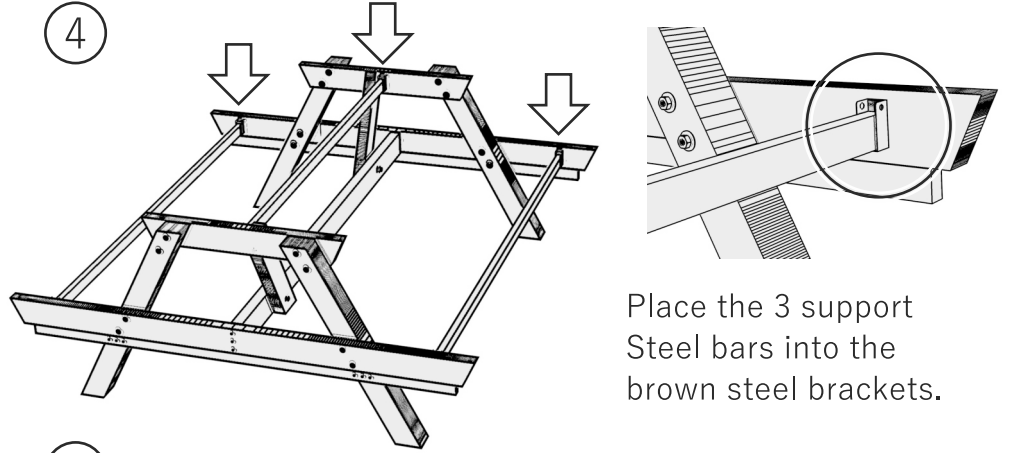
Fix the leg bar to the leg frame with 6x150 mm silver screws.



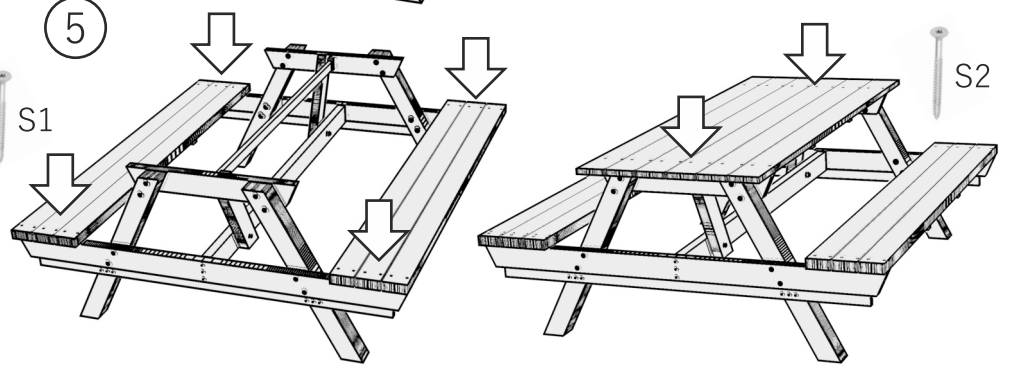
Fix the two stiffening elements to the leg bar with the M12x110 mm bolts.



Fix the stiffing elements to the leg frame with 6x100 mm silver screws.



Place the 3 support Steel bars into the brown steel brackets.



Place the ready built table top and seats onto the frame. Fix them with the green screws  
 Table top 6x70 mm / seats 6x100 mm