

# FENCING

## INSTRUCTION MANUAL

- Most importantly, recycled plastic materials just like these fence boards, expanding and shrinking following temperature changes
- The plastic fence post can be fixed with concrete just like wooden post
- Recycled plastic can be sawn using a handsaw, circular saw or chop saw
- Boards must be pre drilled before screwing
- Use 8 mm HSS drill for 5x100 mm decking screws
- Use 7 mm HSS drill for 4.5x50 mm decking screws
- Made from 100% recycled plastic
- There is no wood component in it so does not absorb water
- It is not hollow so the water can not stuck inside and damage it
- UV stabilised colour

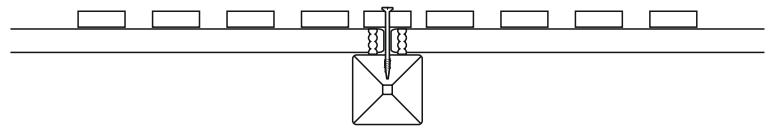
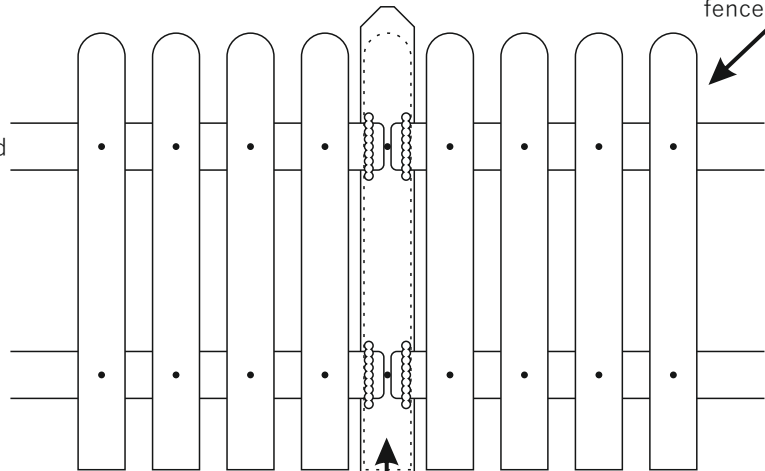


# COVERS THE GAP + THE BUILDERS BAND

USE TREATED DECKING SCREWS

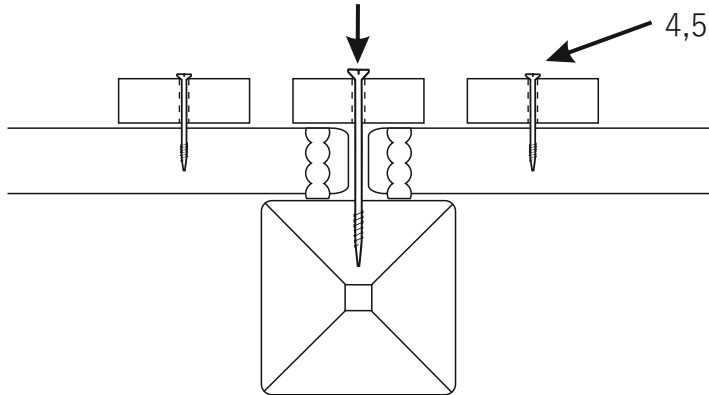
21x78x1000-1800 mm  
fence board

runner board

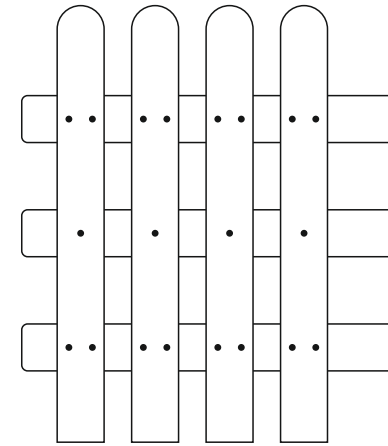


8 mm drilled hole  
5x100 screw

7 mm drilled hole  
4,5x50 screw



5 screws



1800 mm 6 FT

in the middle of the board  
8 mm drilled hole  
5x100 screw

7 mm drilled hole  
4,5x50 screw

