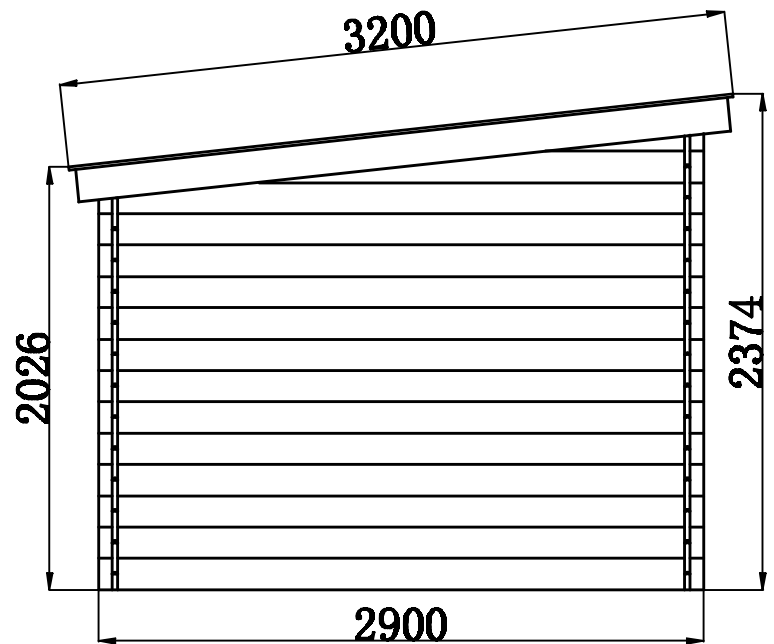
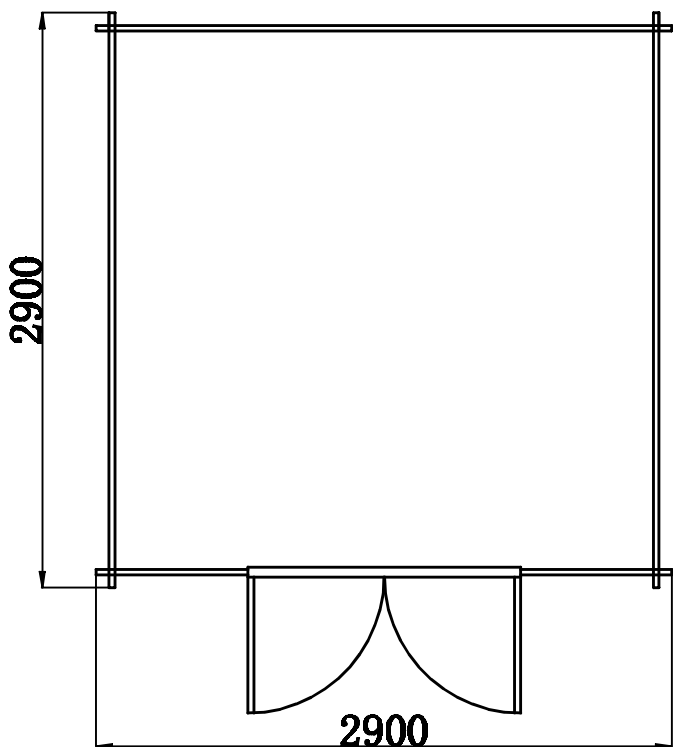
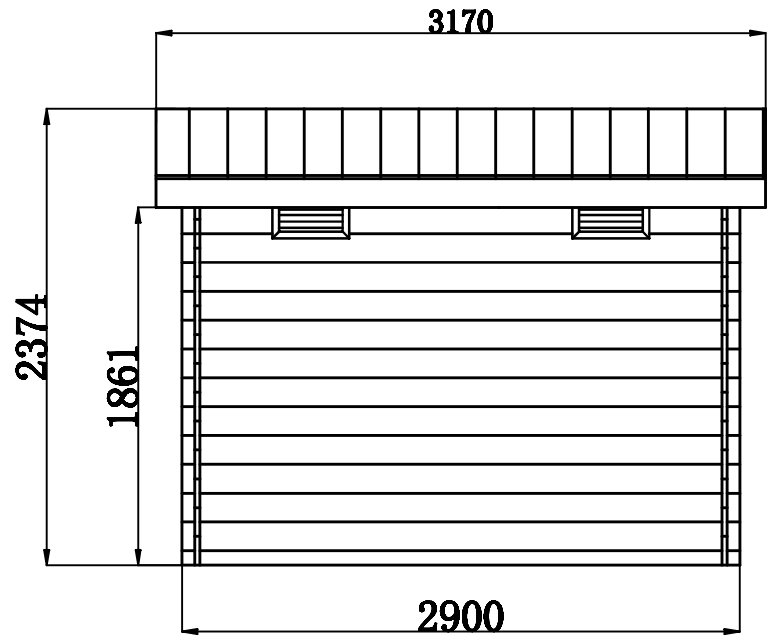
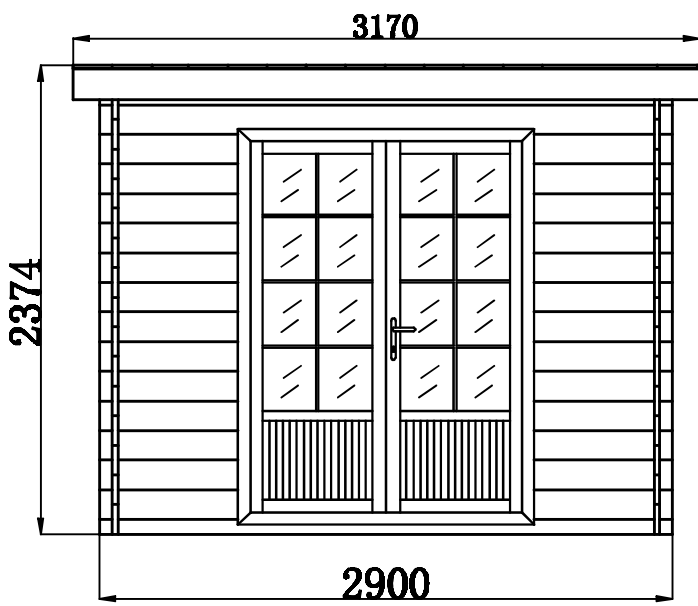
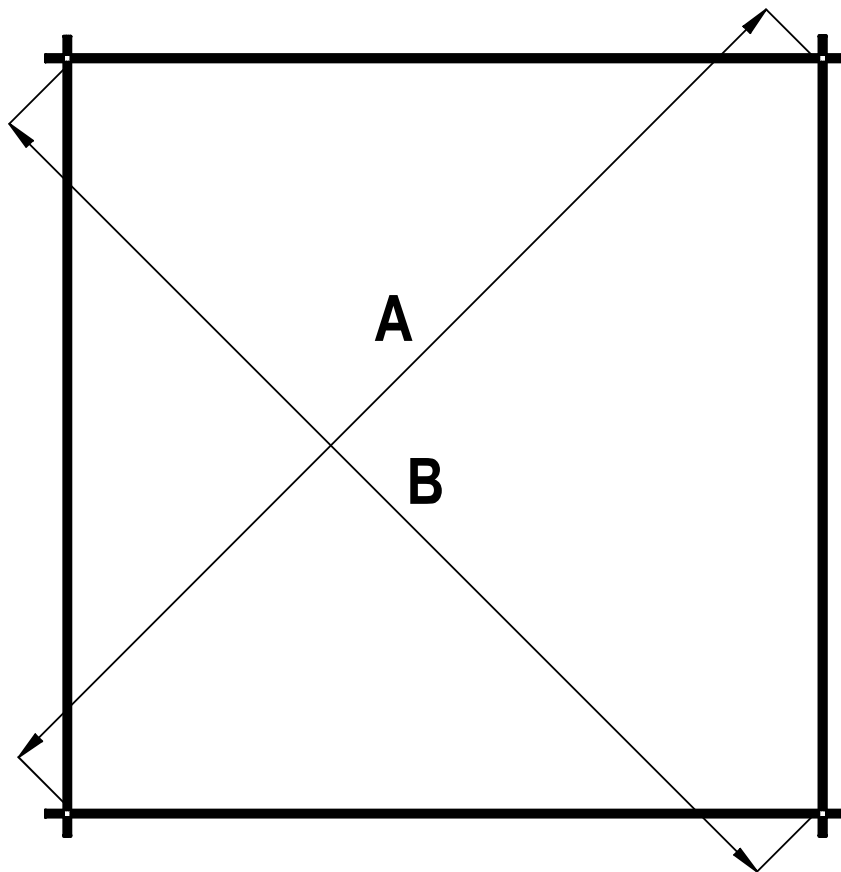
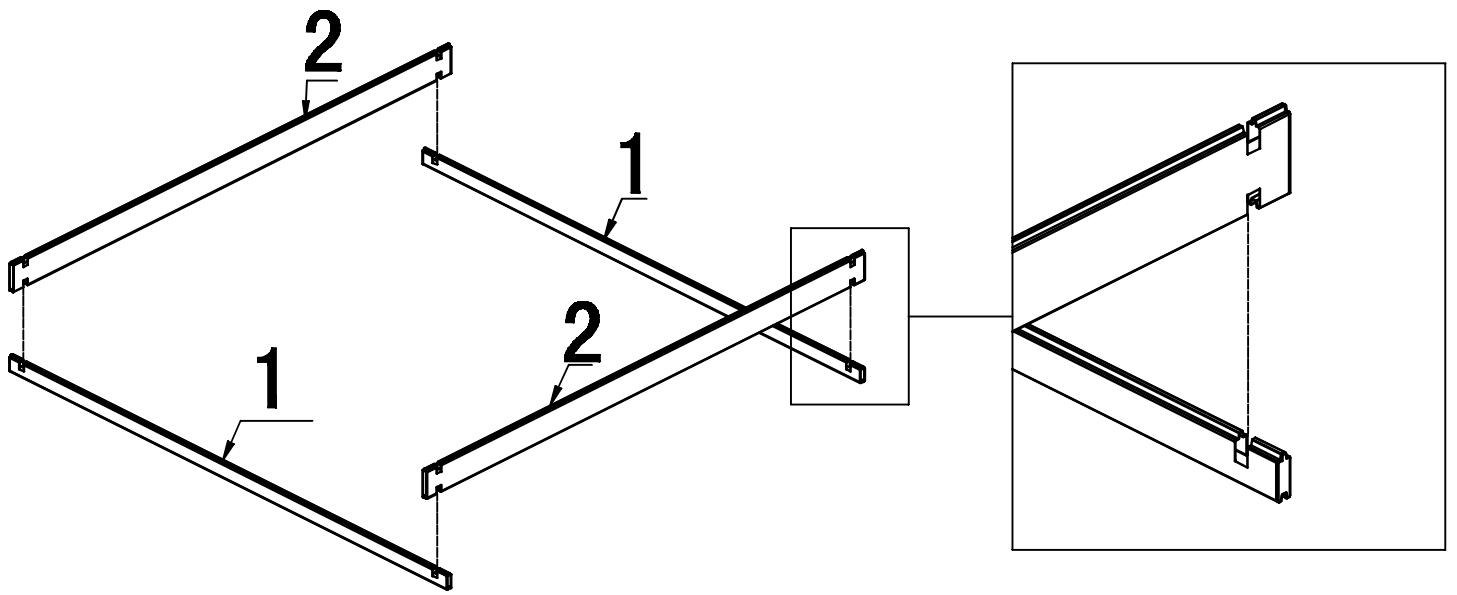
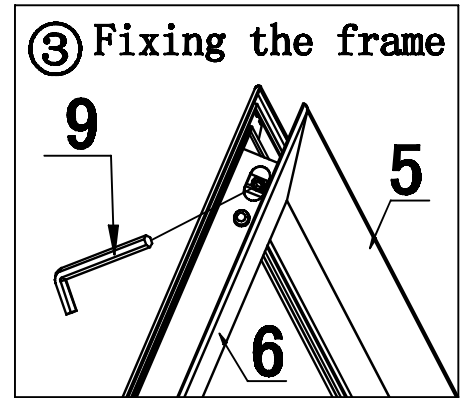
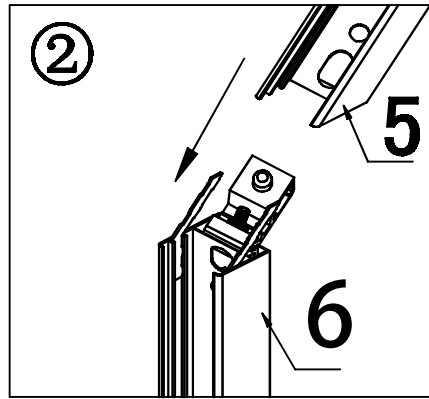
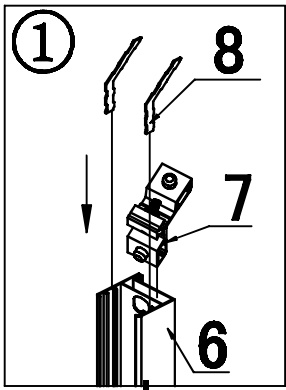


Installation instructions

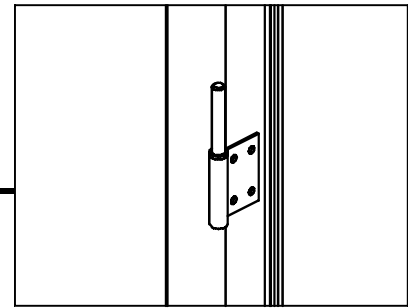




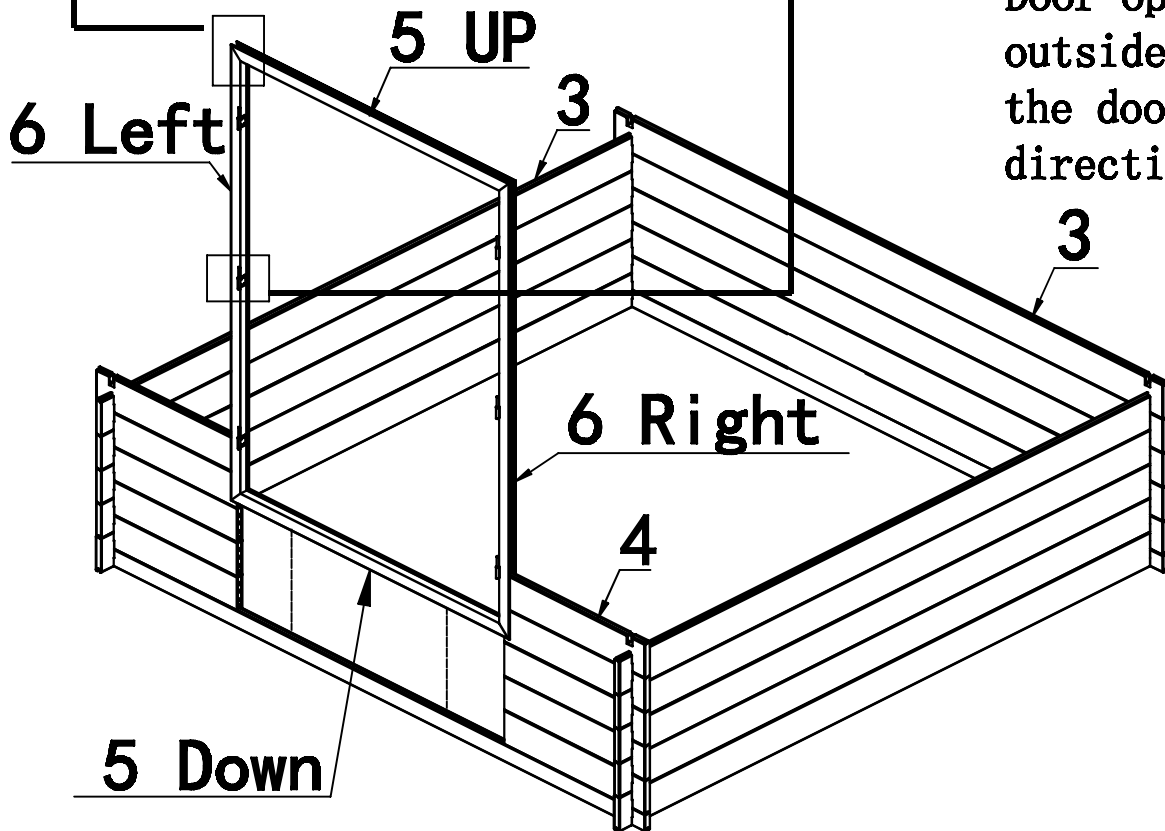
After Step 1, Make sure opposite angles be same

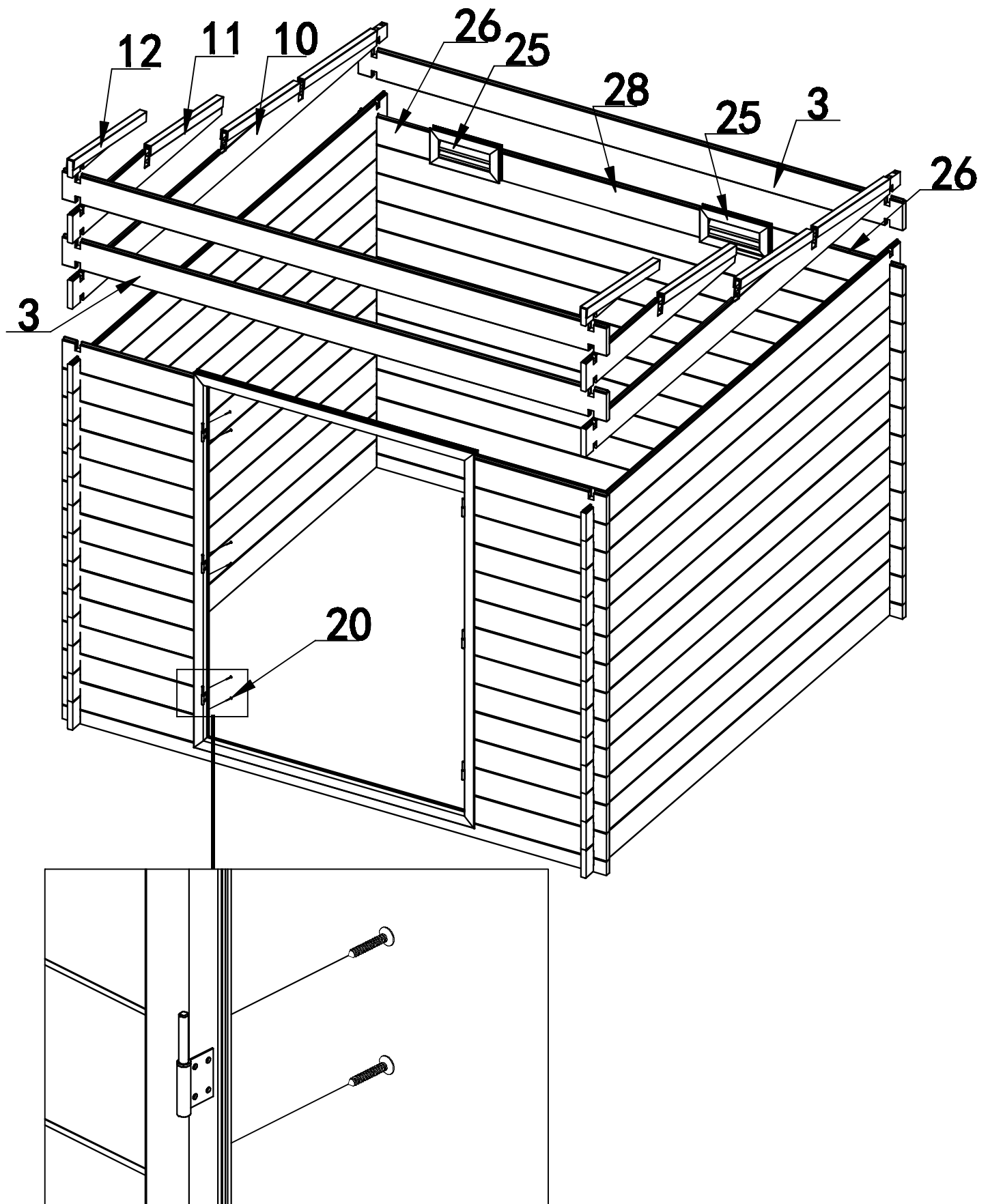


Door ALU.railing fixing by hinge.



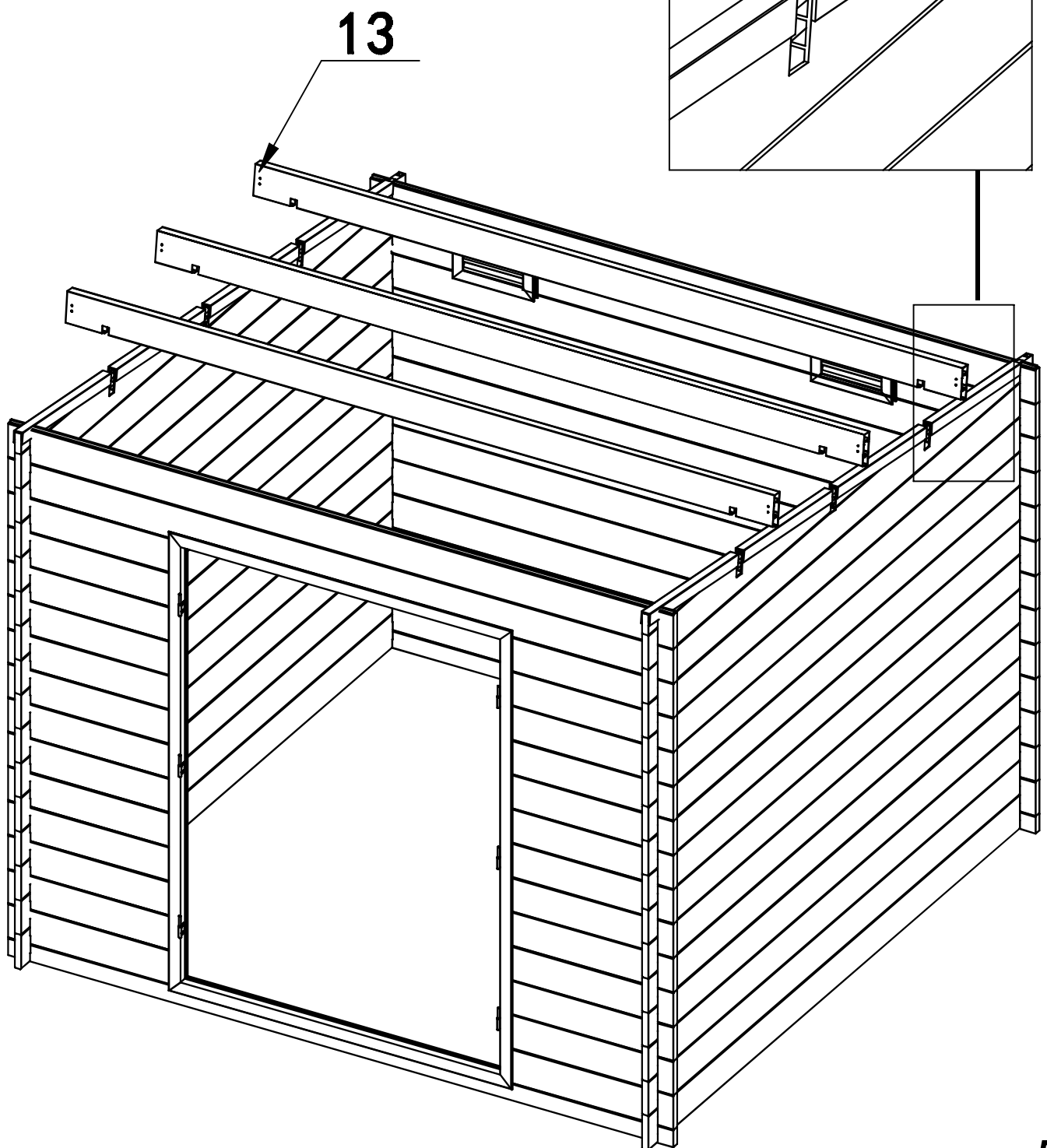
Door opens from outside, Attention the door frame direction.

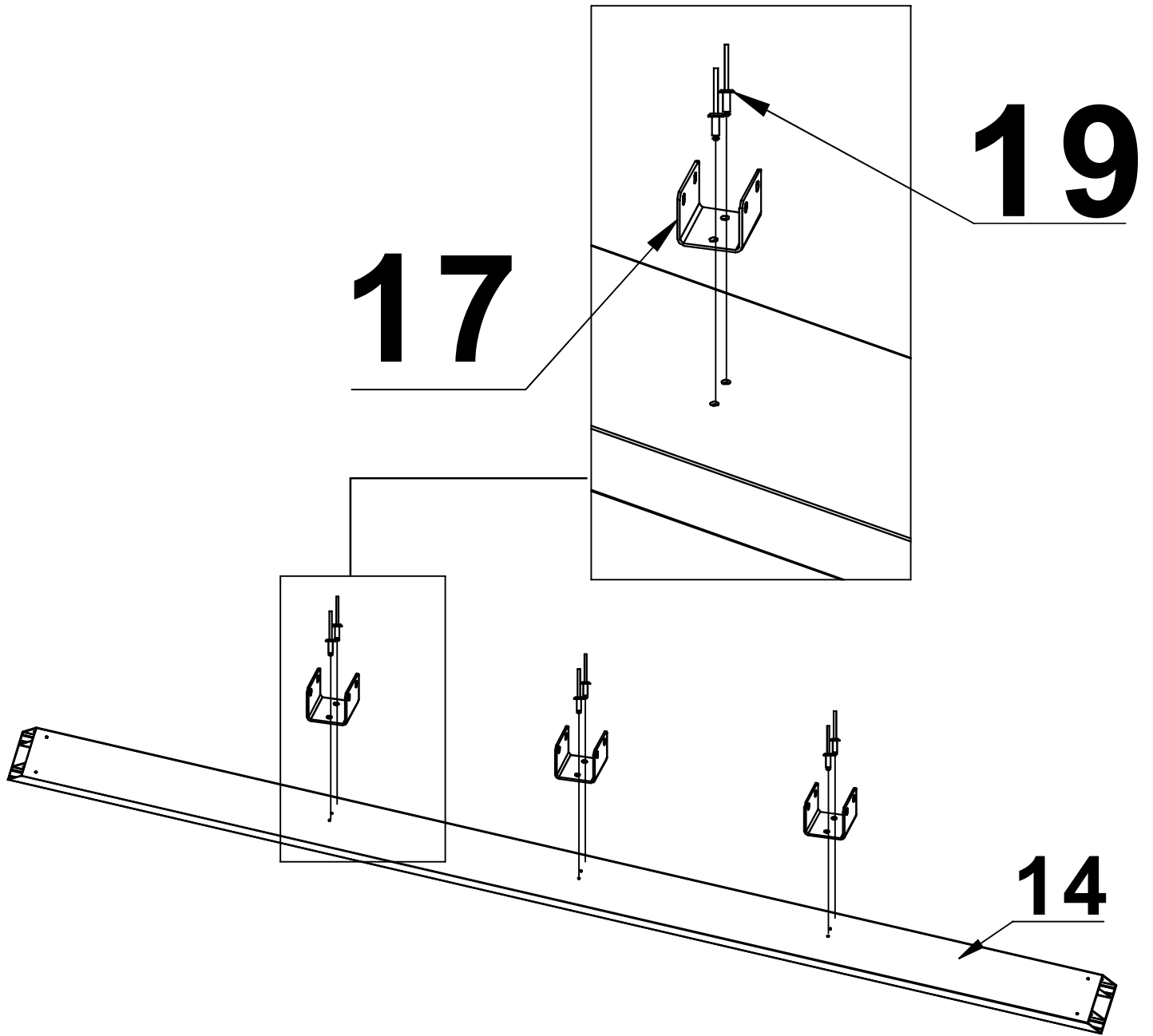




Before Fixing the door frame, the opposite angles must be same.

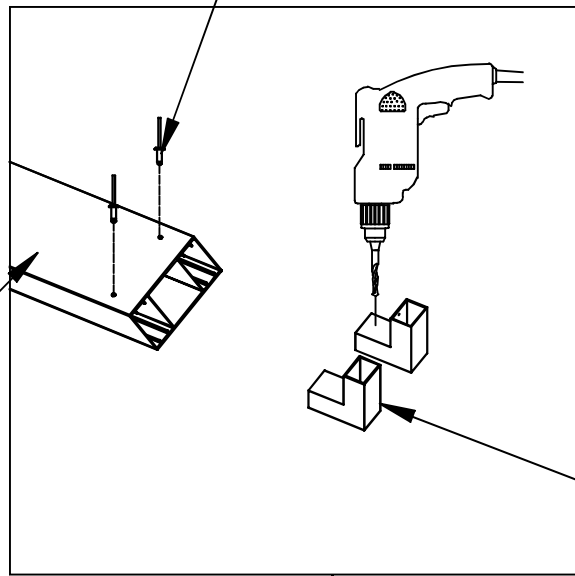
Must tell the
difference between
left and right beam





using the rivet
gun to install the
accessories

19

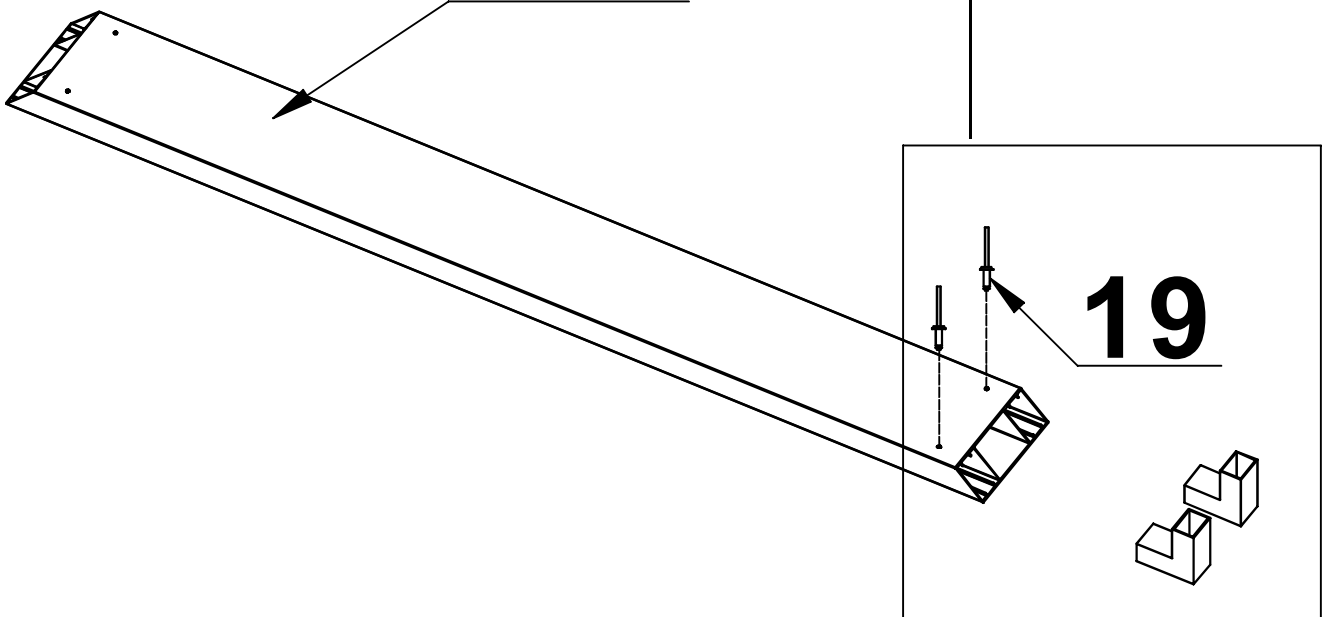


15

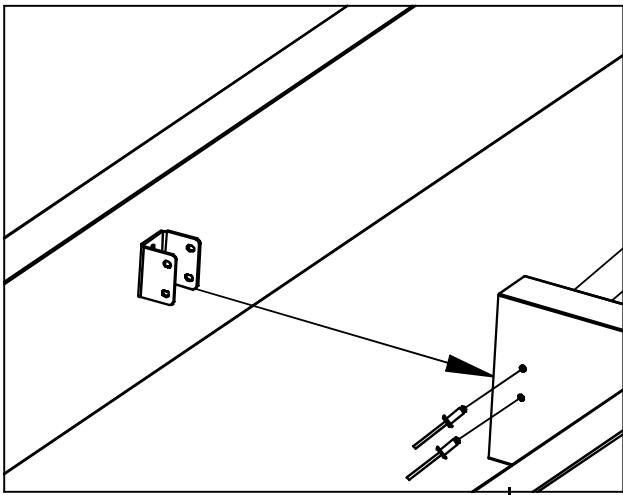
18

Please do not put the cornice in then use the electric hand drill to drill the holes

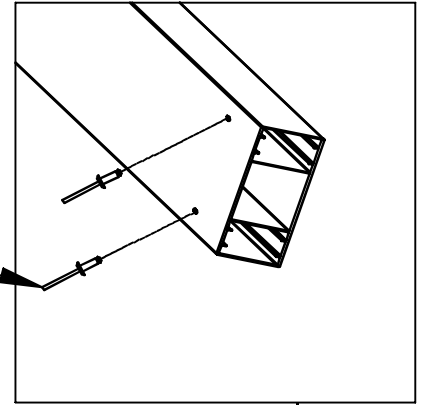
15



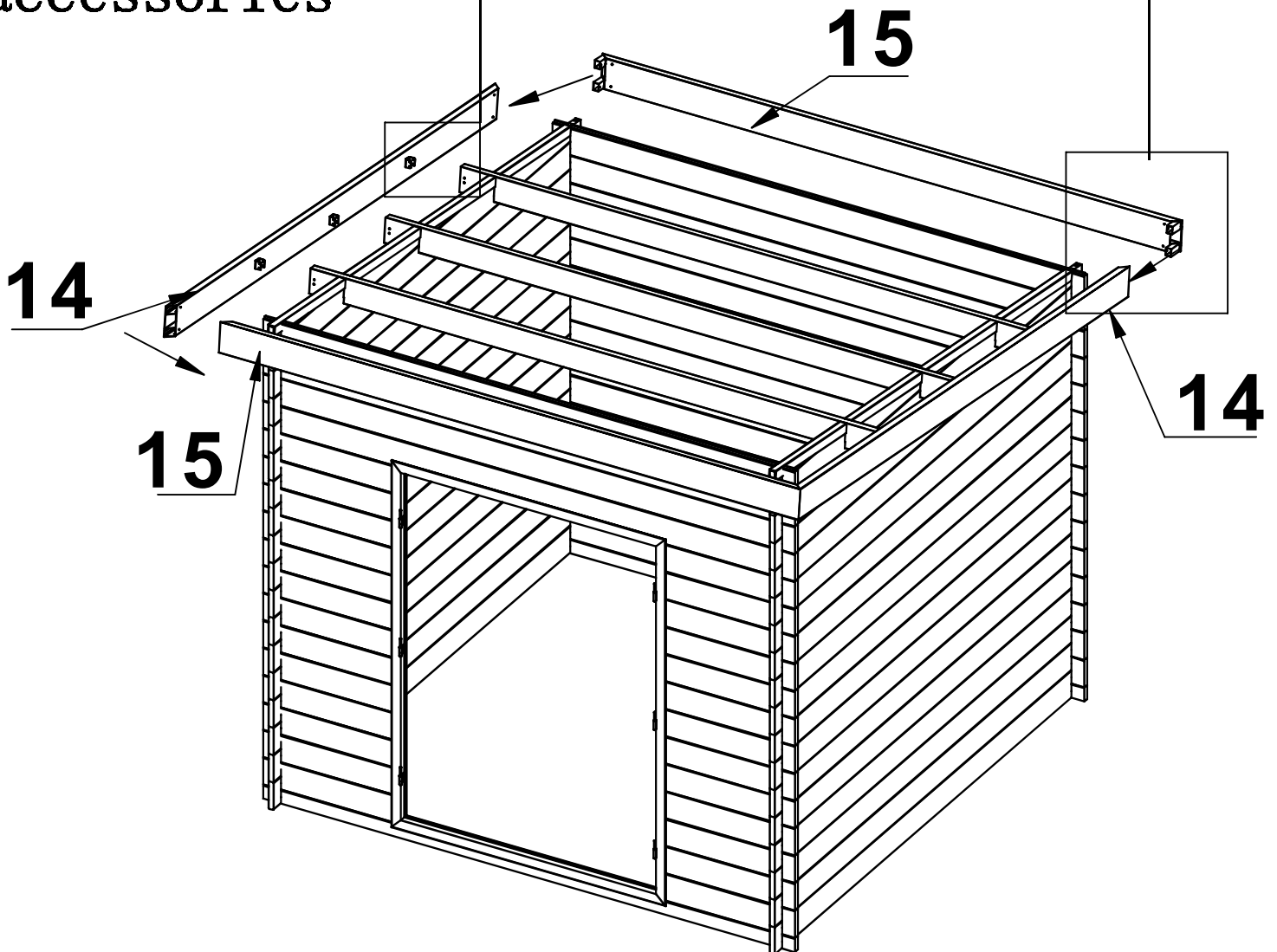
19

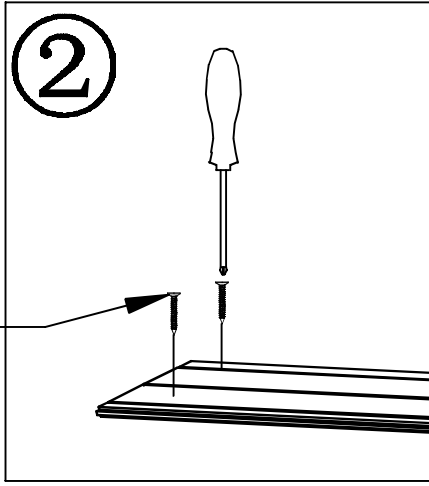


19

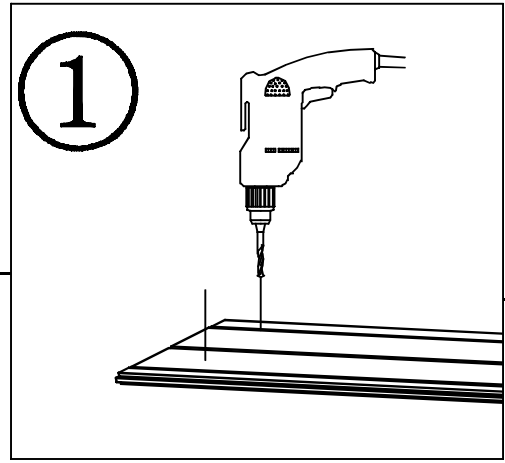


using the rivet gun
to install the
accessories

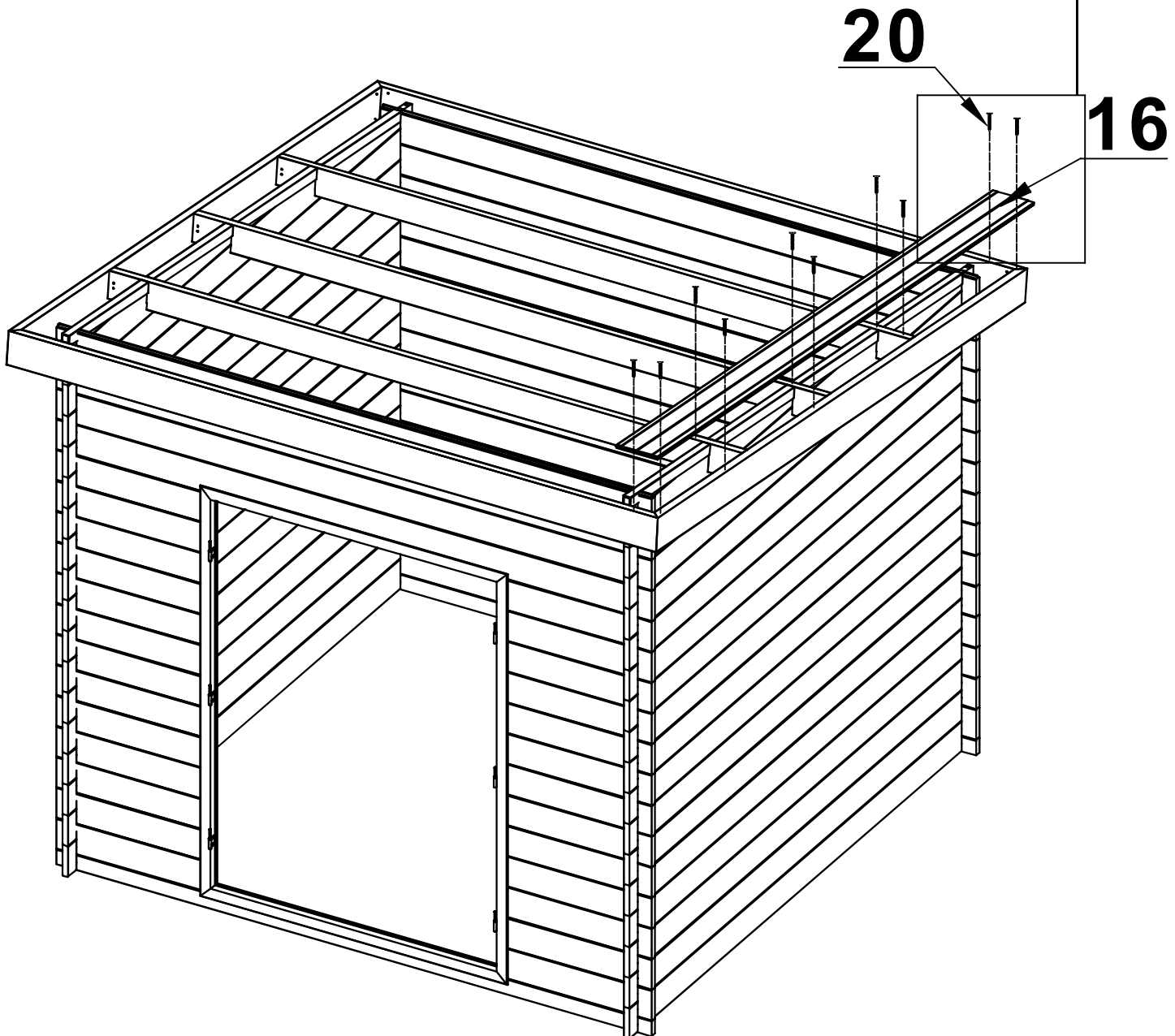




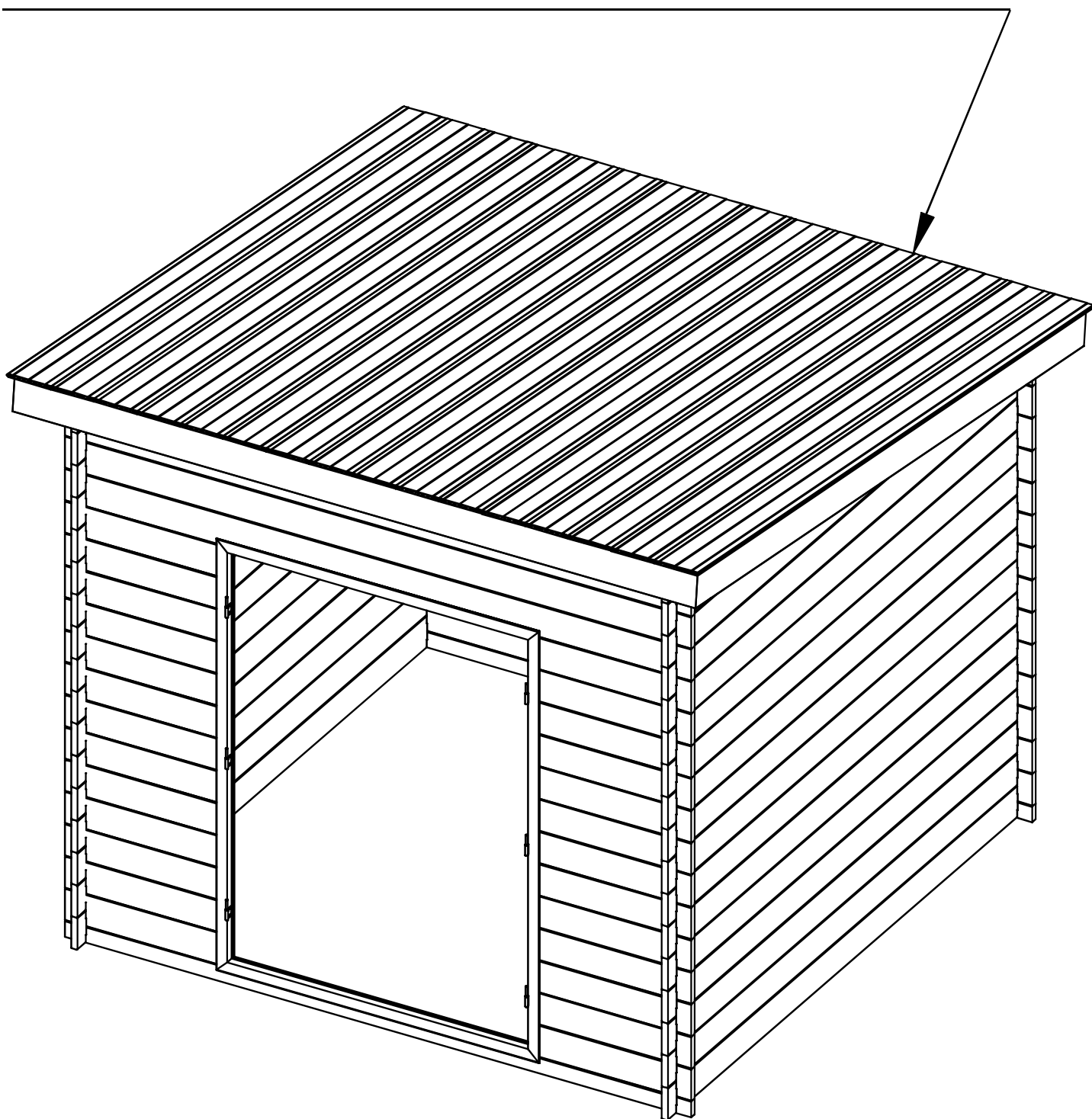
Fixing screws



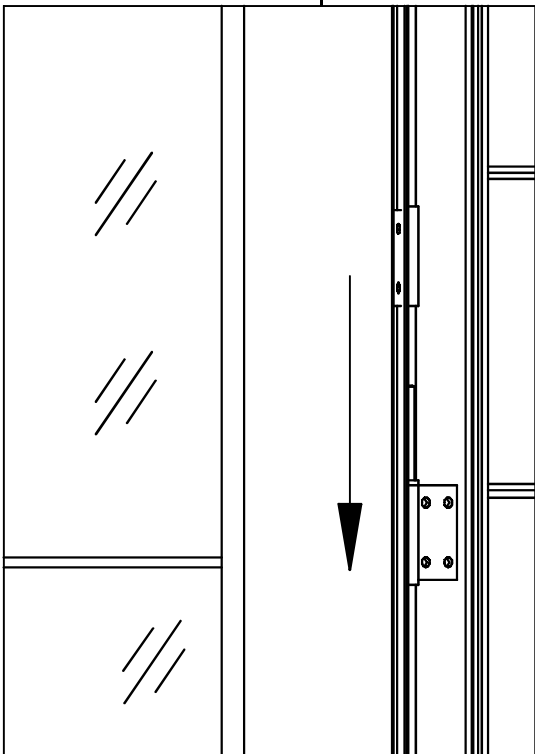
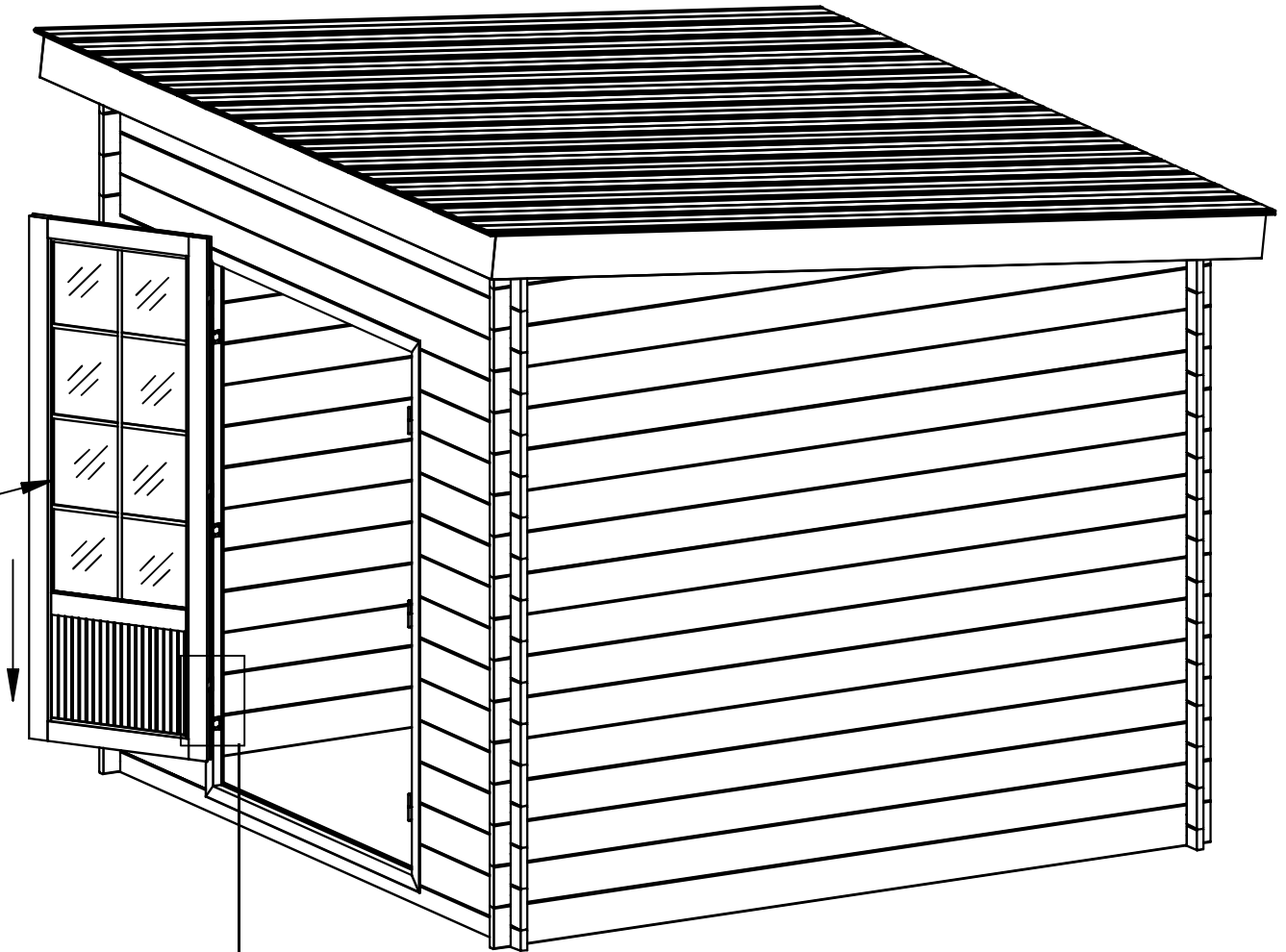
Pls predrill
before screwing



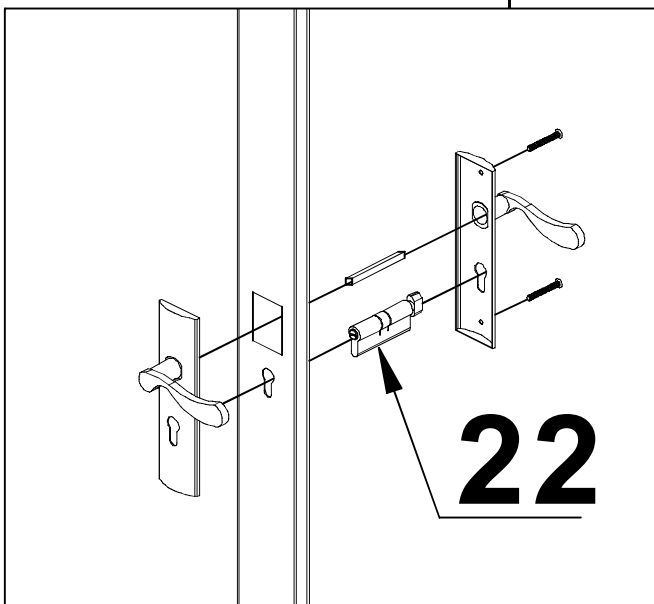
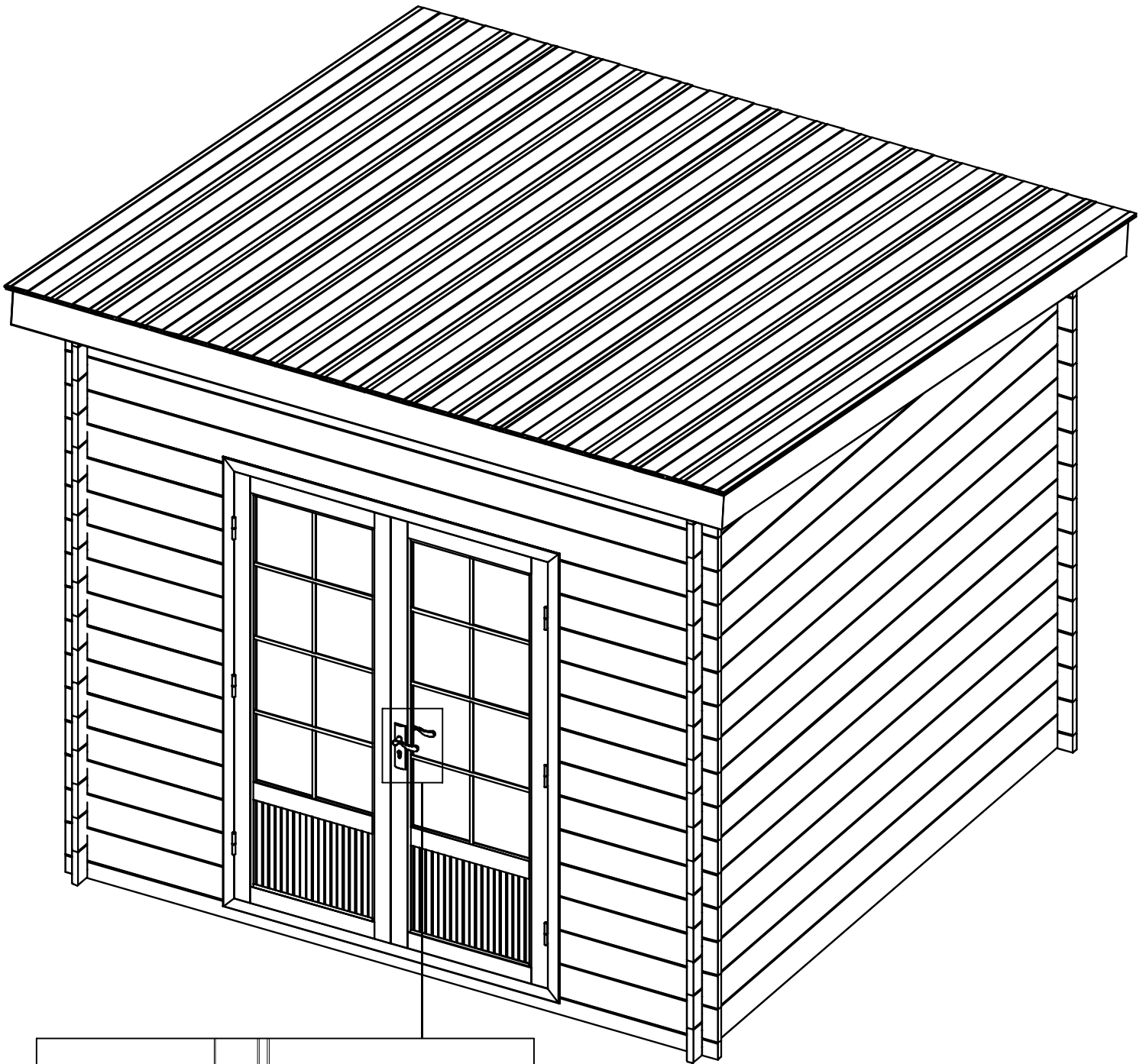
After installed the roof panel, need to cover the waterproof material. eg. shingle roof



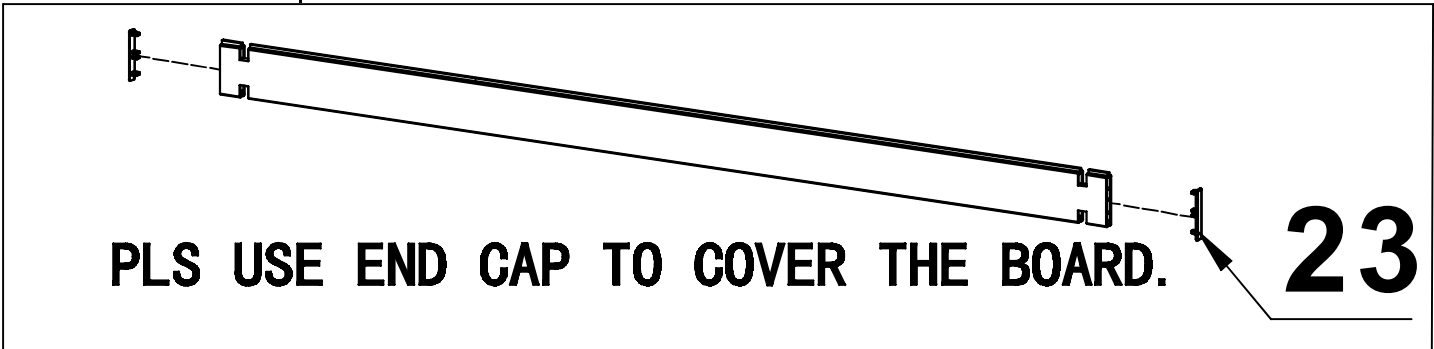
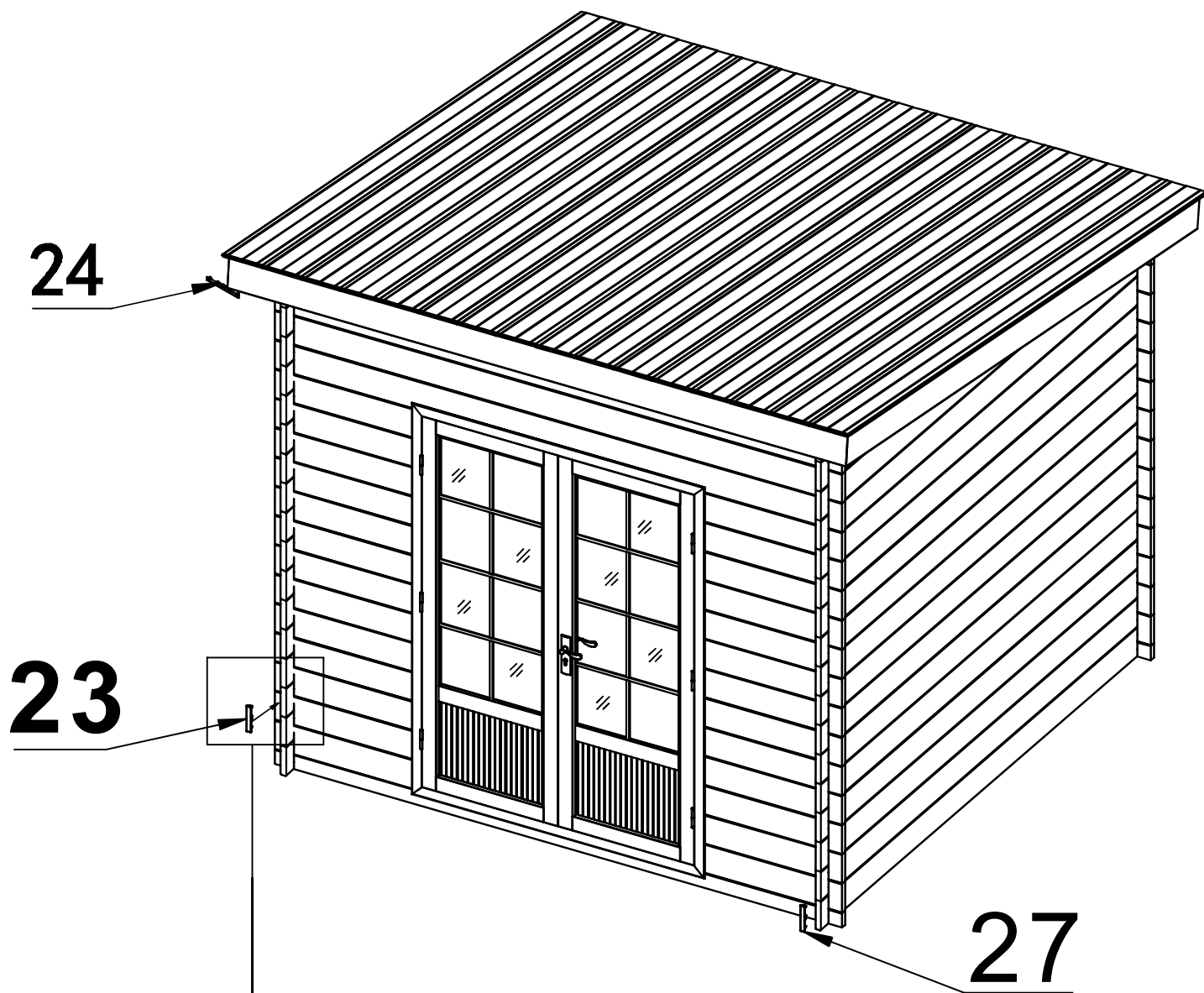
21






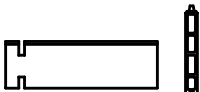
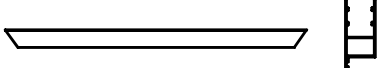
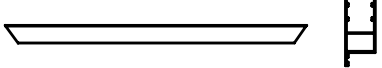
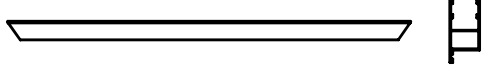
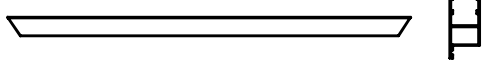


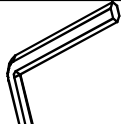



Door opens from outside,
Attention the door frame
direction.



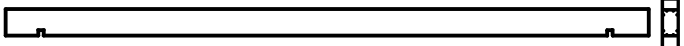
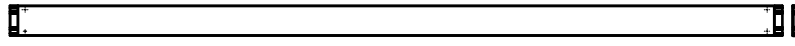
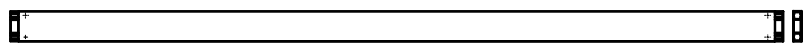


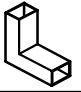
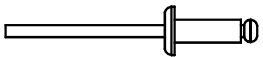

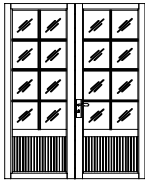


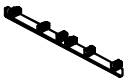
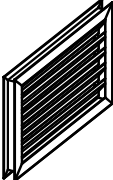
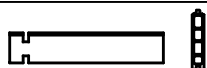

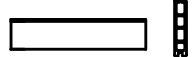
**door handle
installation**



Spare Parts

NU	STRUCTURE	DESCRIPTION	QTY
1		Alu plank wall B 85*28 L=2900mm	2
2		Alu plank wall A 160*28 L=2900mm	2
3		plank wall 160*28 L=2900mm	38
4		plank wall 160*28 L=730mm	26
5		Door UP	1
5		down rail	1
6		Door left	1
6		right rail	1
7		Door connector	4
8		Door frame mounting	8
9		Allen wrench	1
10		pediment	2
11		pediment	2
12		pediment	2

Spare Parts

NU	STRUCTURE	DESCRIPTION	QTY
13		left Alu beam 140*40mm L=3090mm	3
14		alu long roof panel cover 160*40 L=3140mm	2
15		alu long roof panel cover 160*40 L=3170mm	2
16		roof 206*15 L=3200mm	16
17		connector 40*35 L=31mm	6
18		connector 80*80 L=40mm	8
19		connector Ø 4 L=10mm	55
20		screws 4*30	200
21		door	1
22		door handle	1
23		End Cap	135
24		Tile head	34
25		Vent 400*205mm	2
26		plank wall 160*28 L=500mm	2
27		Aluminum alloy head	8
28		plank wall 160*28 L=1220mm	1