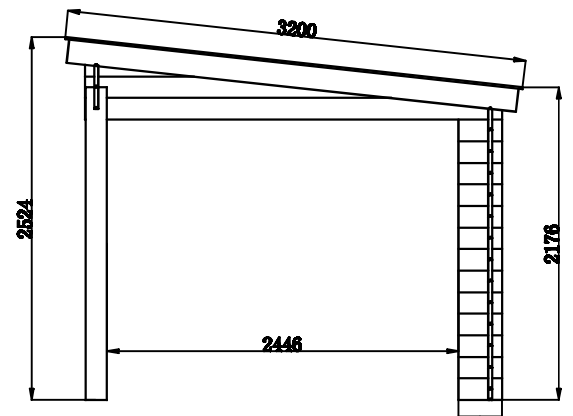
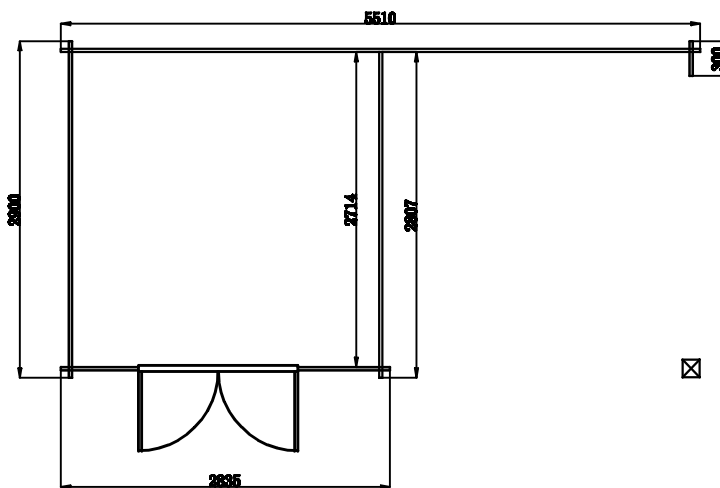
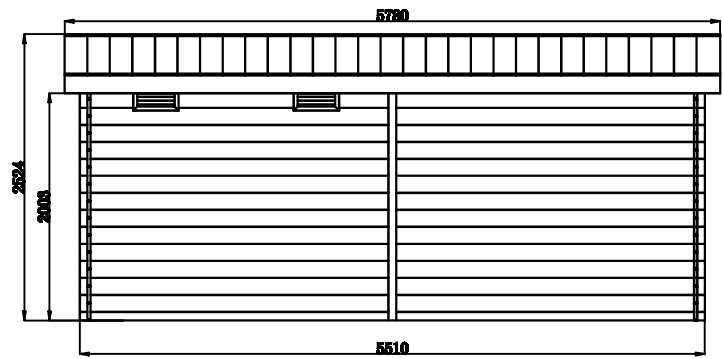
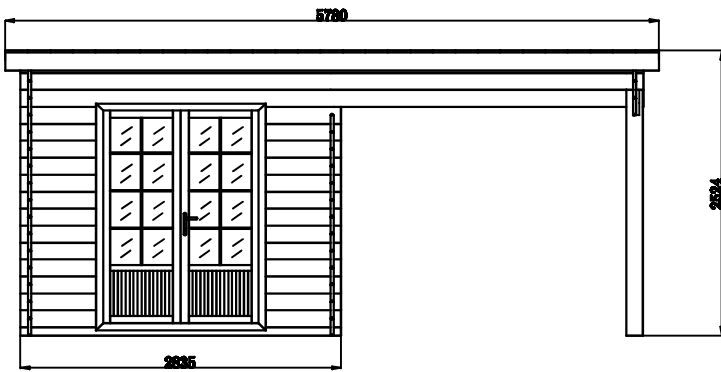
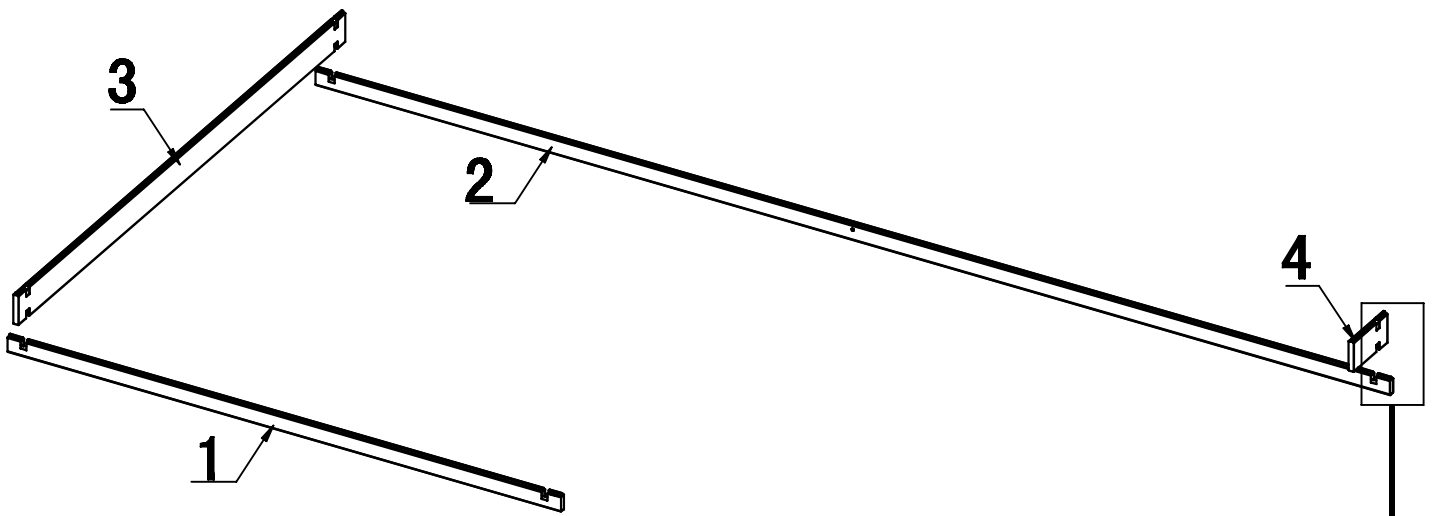
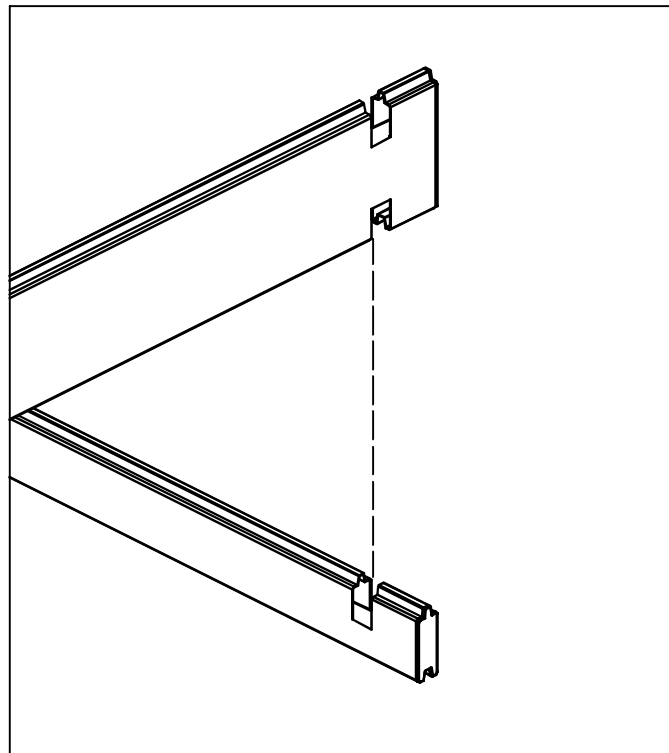


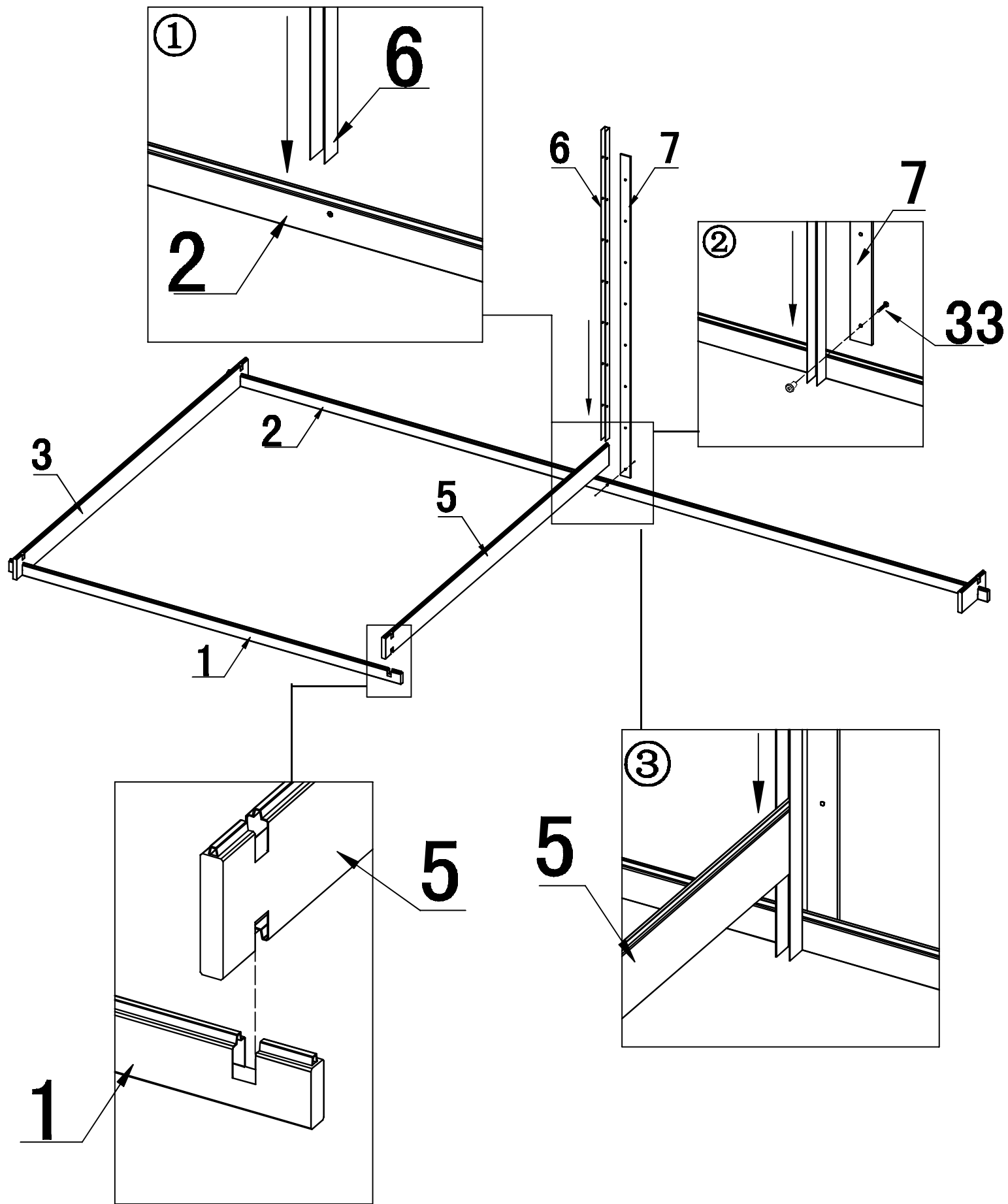
Installation instructions

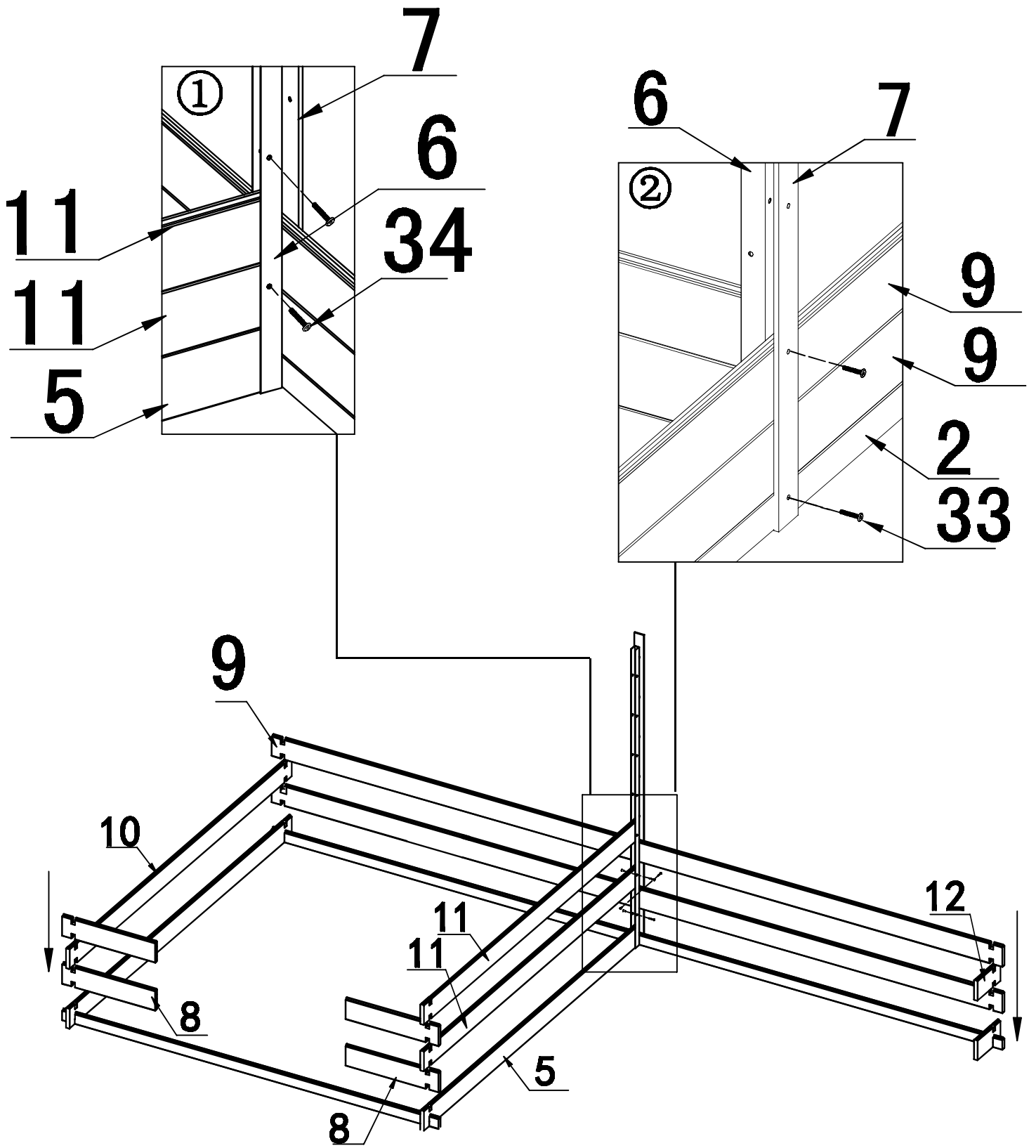


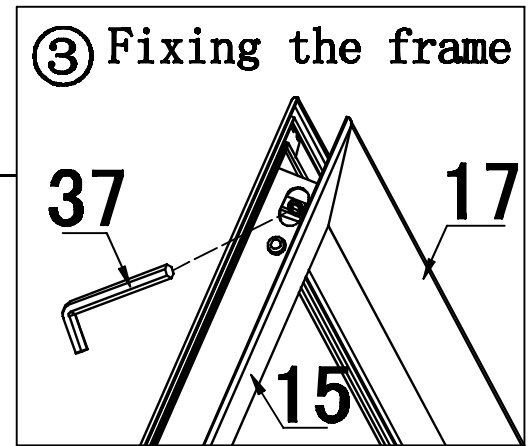
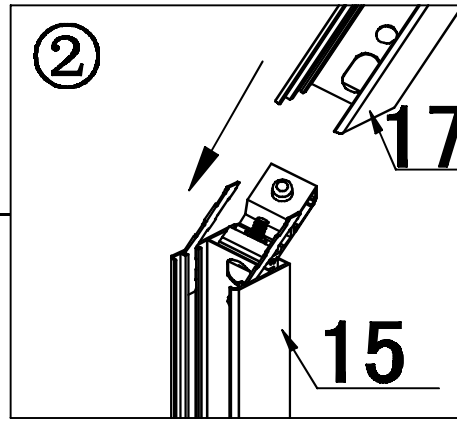
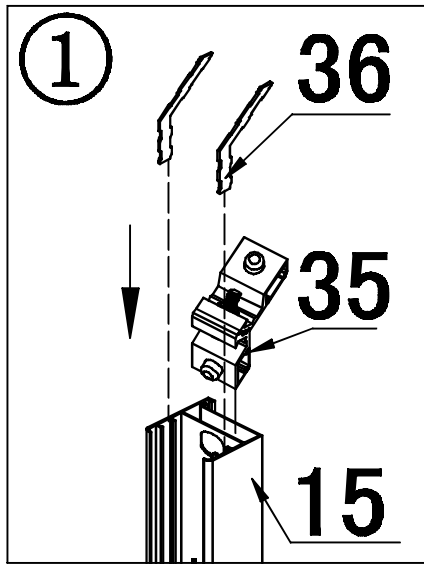


The first Layer use Alu panel.

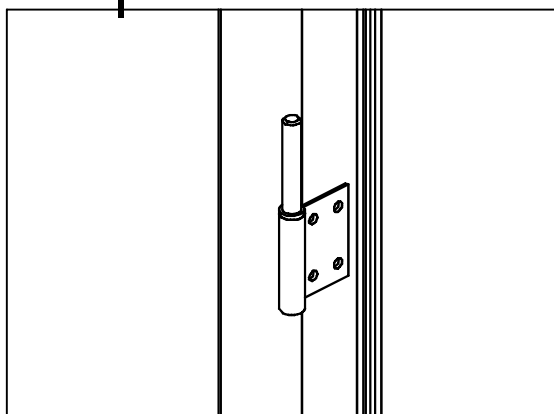
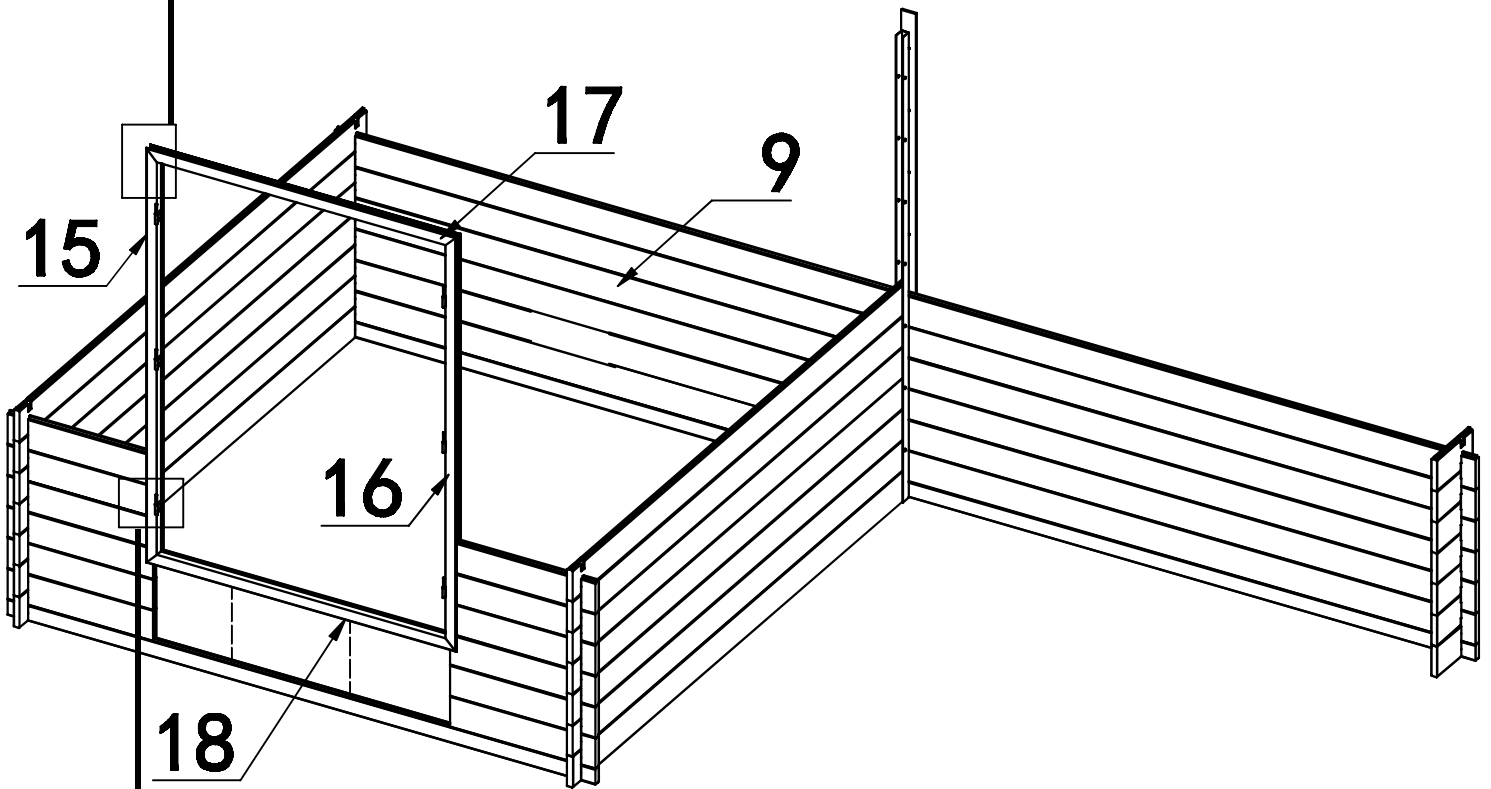




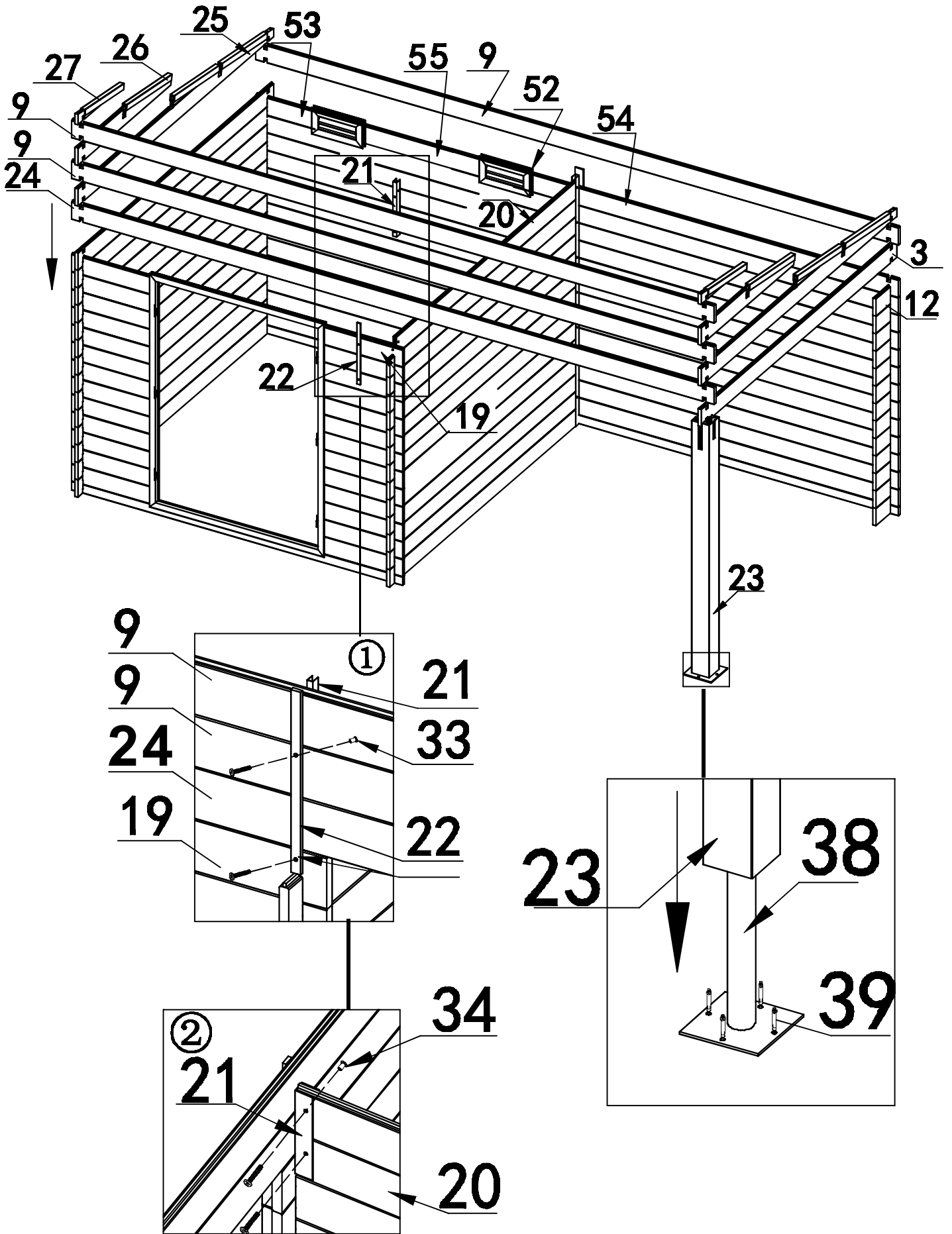


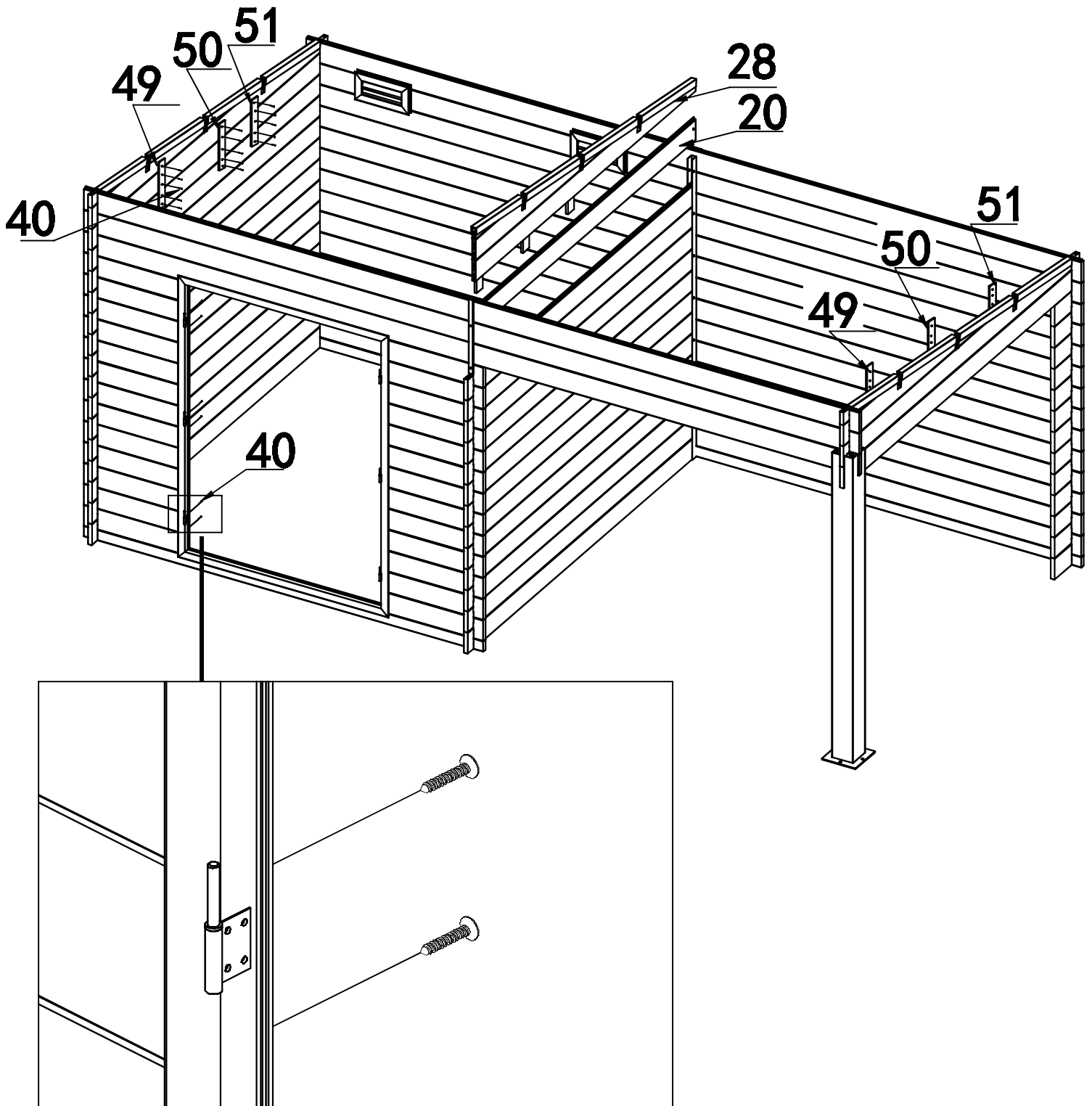


Door ALU. railing fixing by hinge.



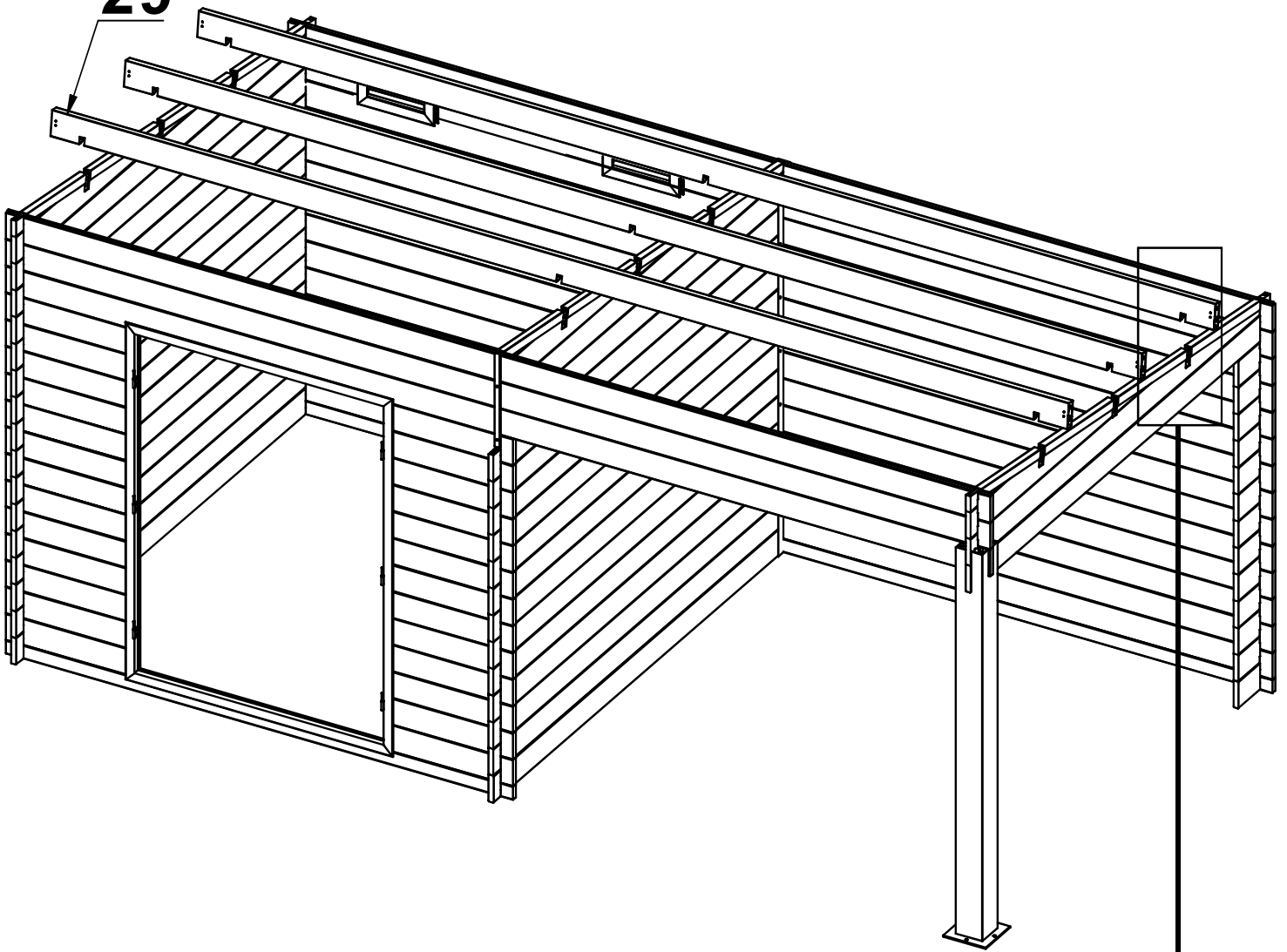
Door opens from outside, Attention the door frame direction.



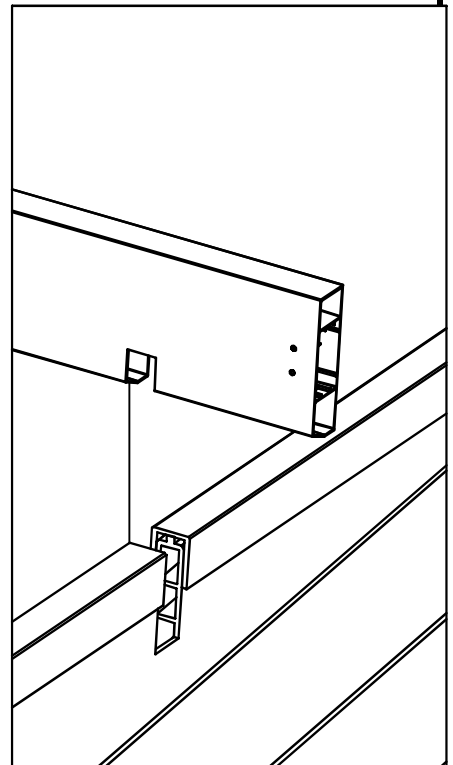


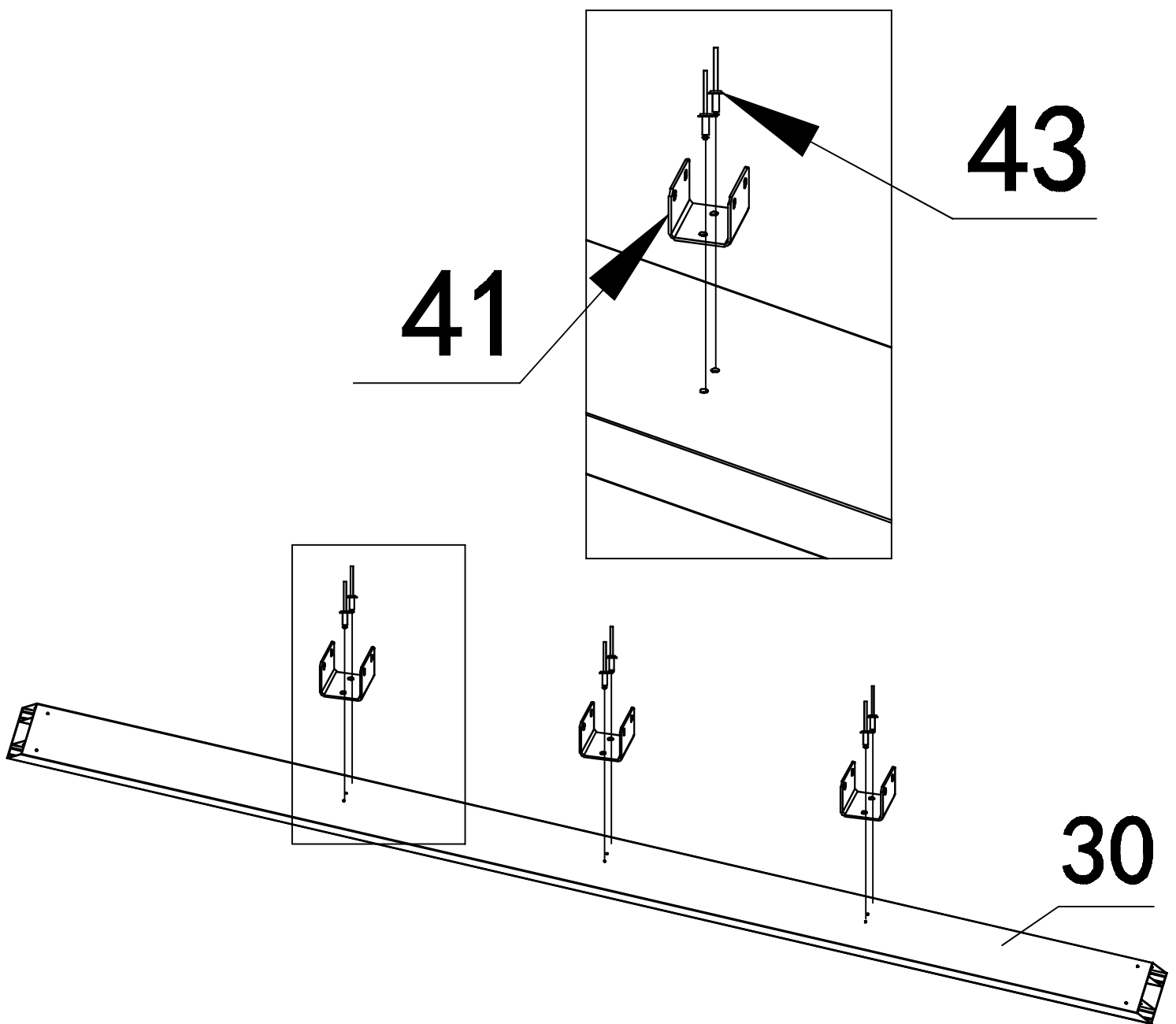
Before Fixing the door frame, the opposite angles must be same.

29

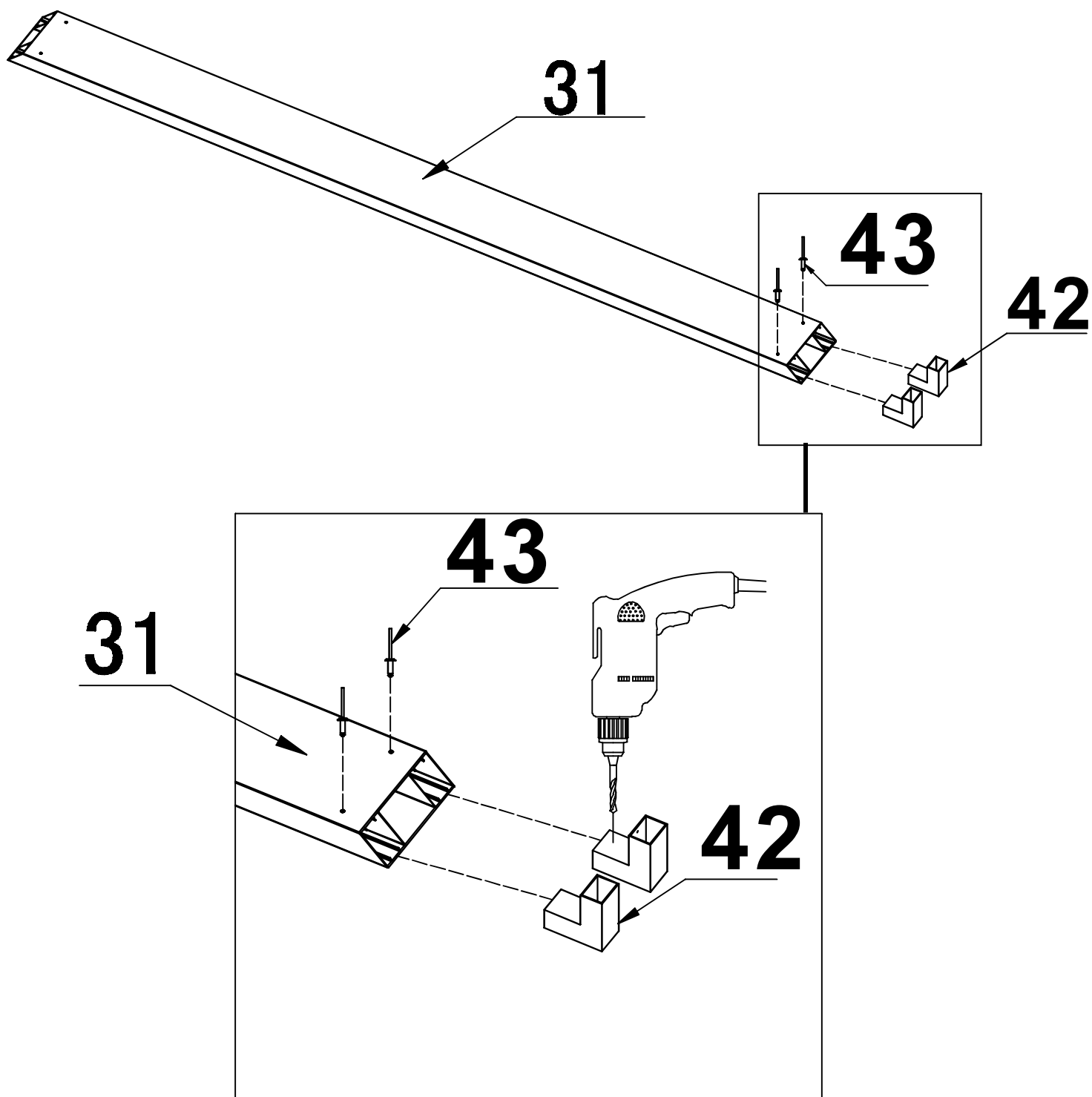


Must tell the
difference between
left and right beam

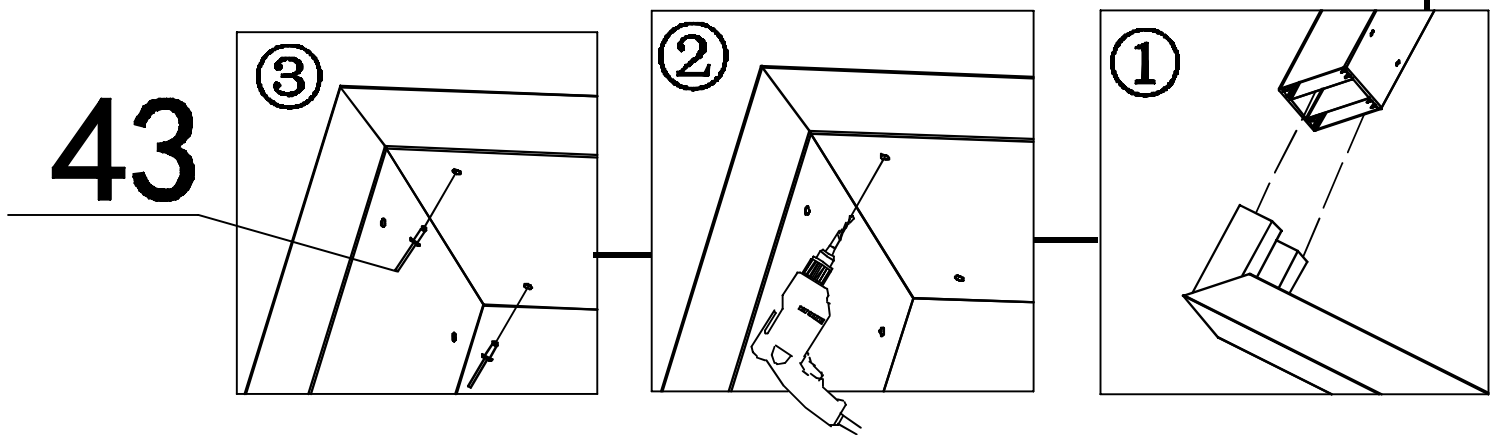
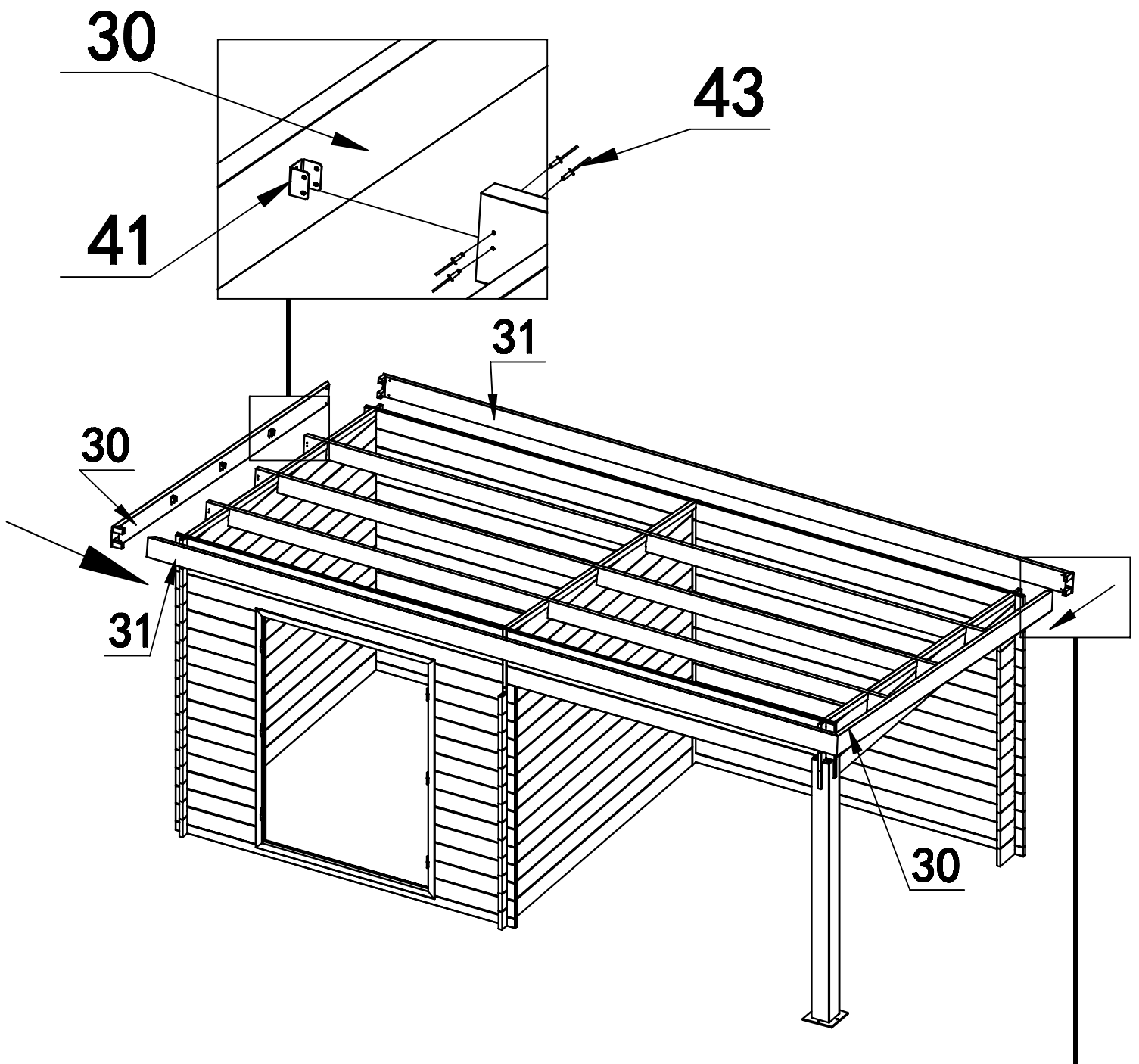




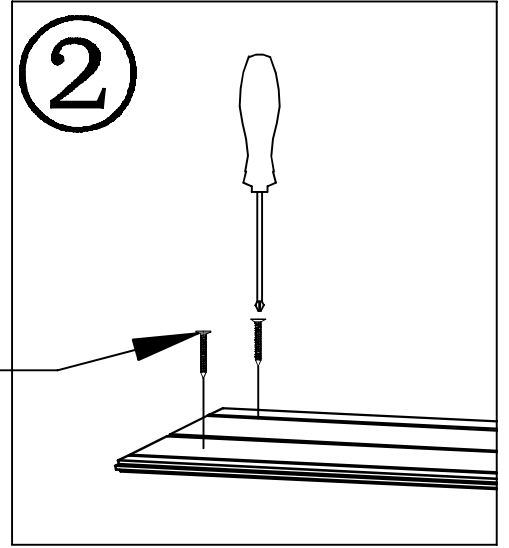
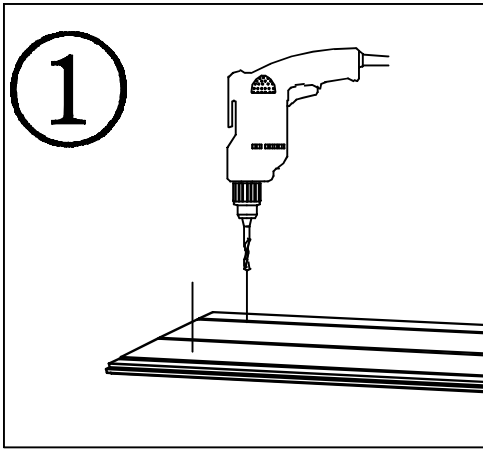
using the rivet gun
to install the accessories



Please do not put the cornice
in then use the electric
hand drill to drill the holes

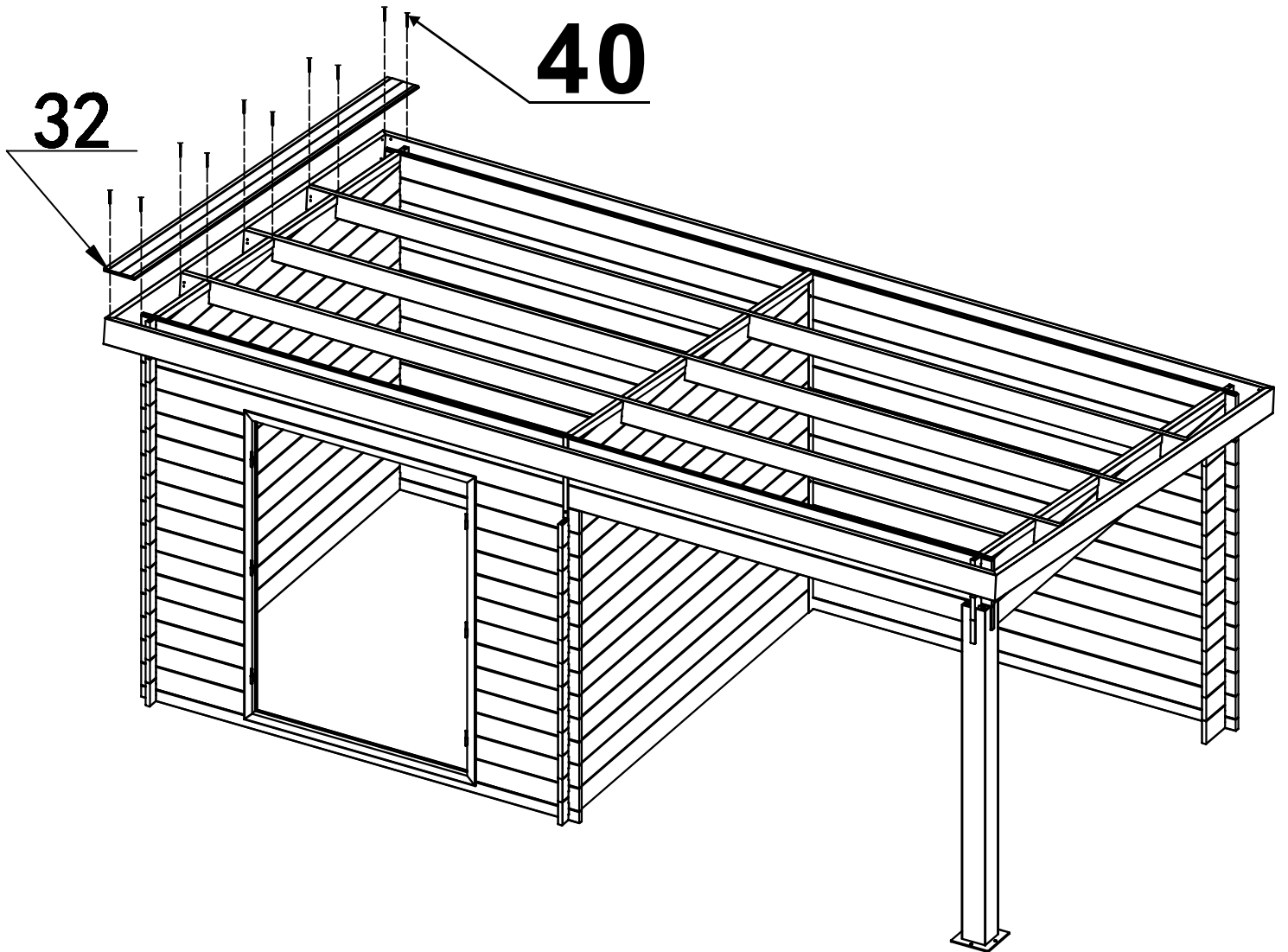


using the rivet gun to install
the accessories

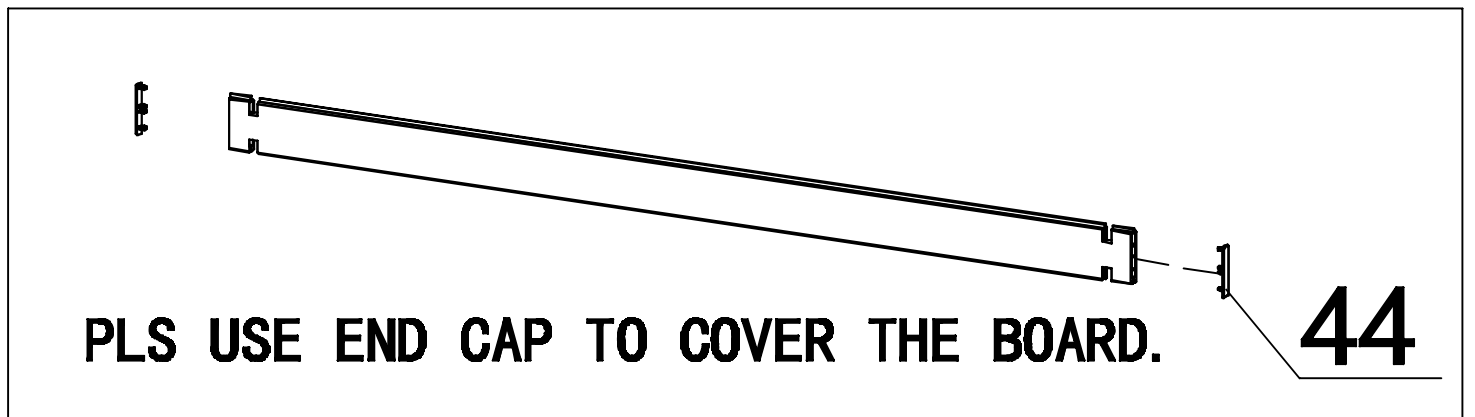
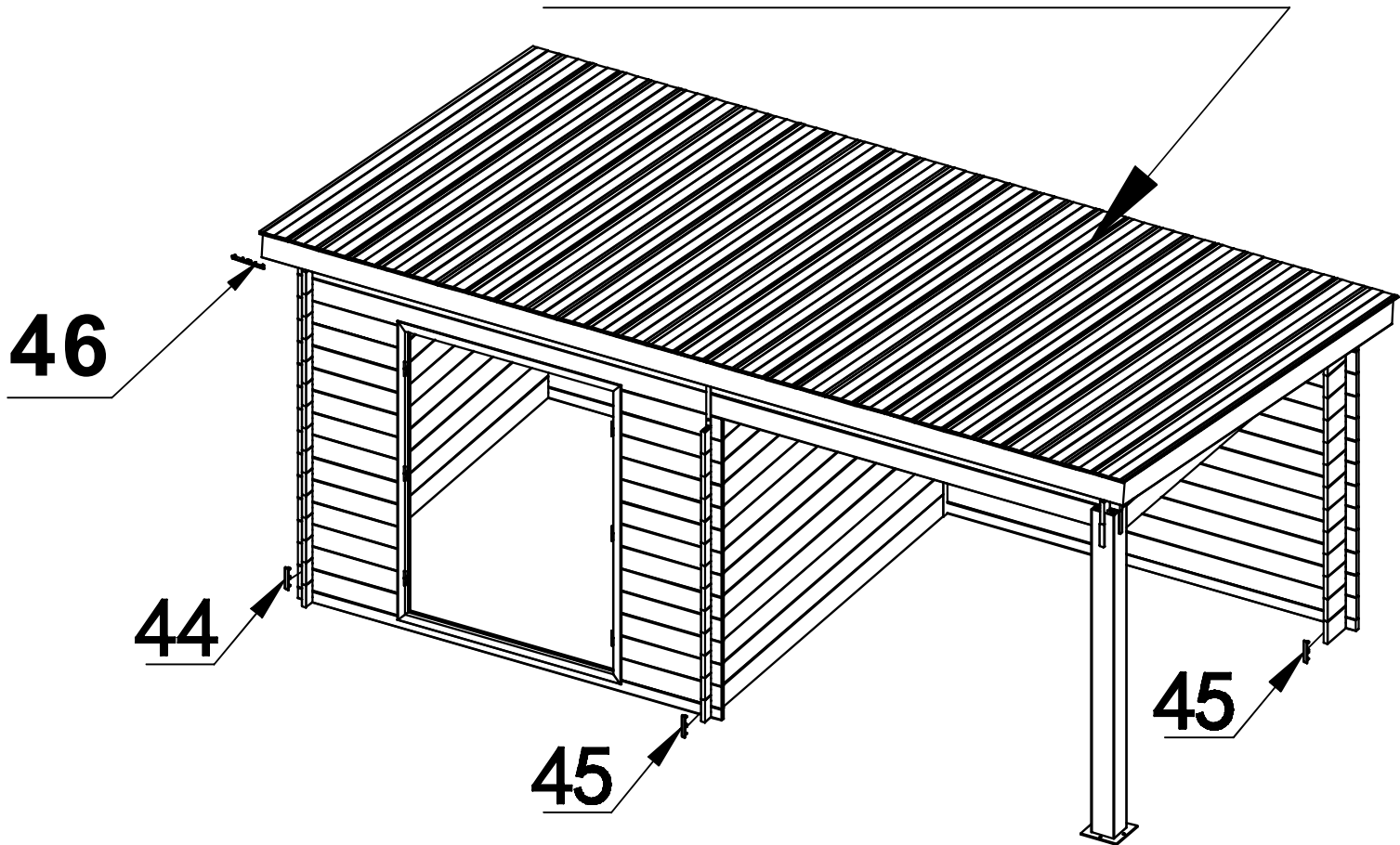


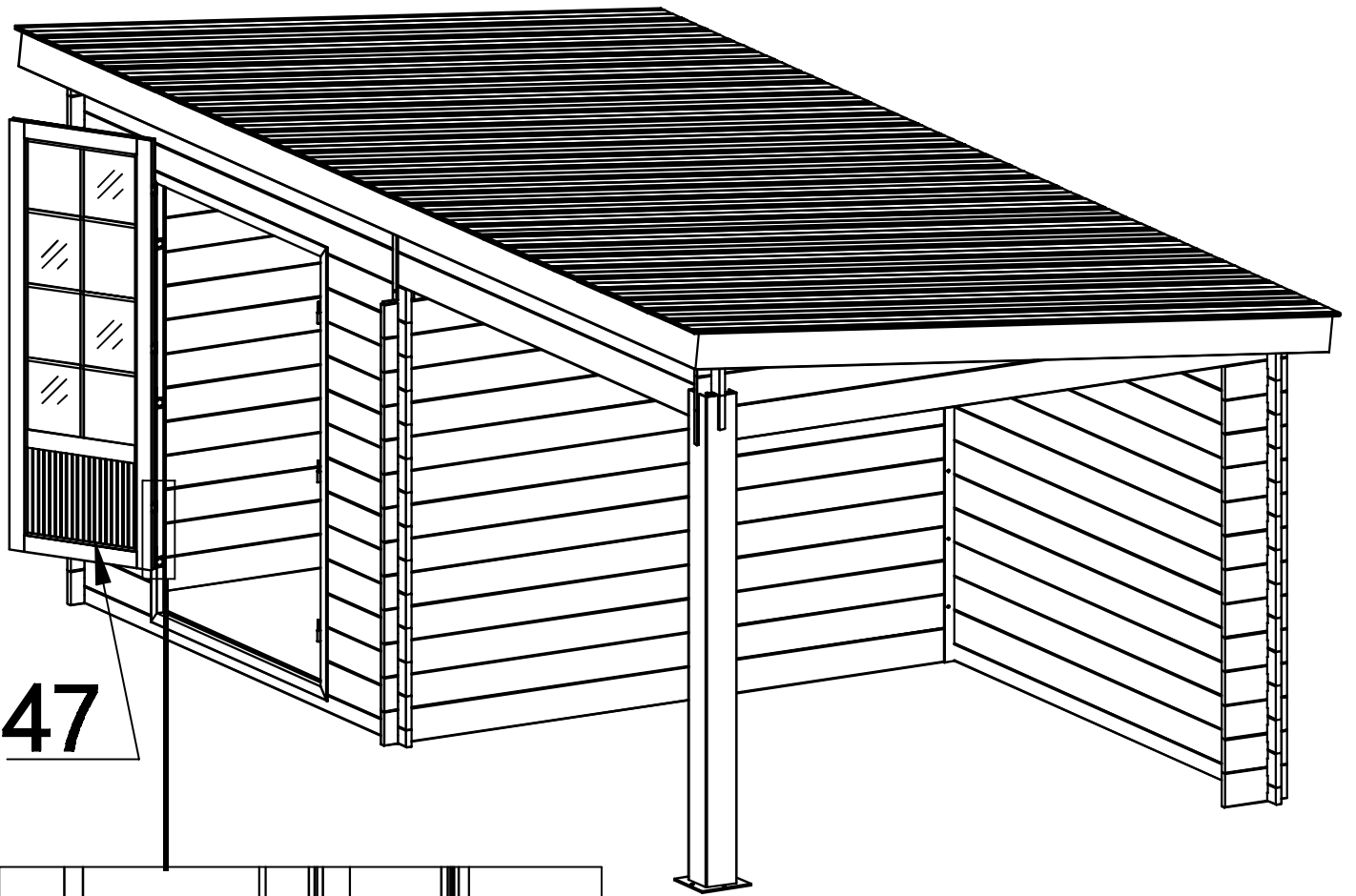
Pls predrill
before screwing

Fixing screws

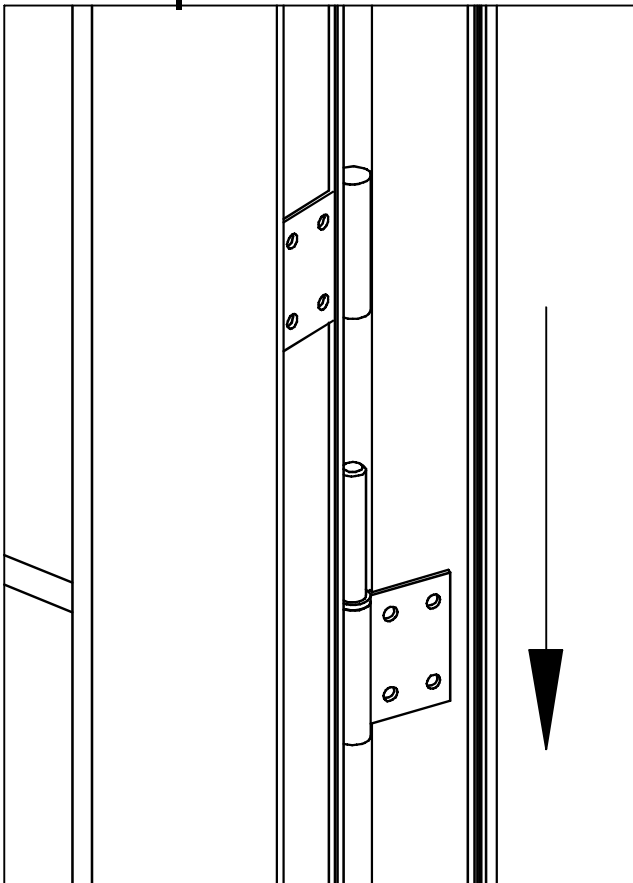


After installed the roof panel, need to cover the waterproof material. eg. shingle roof

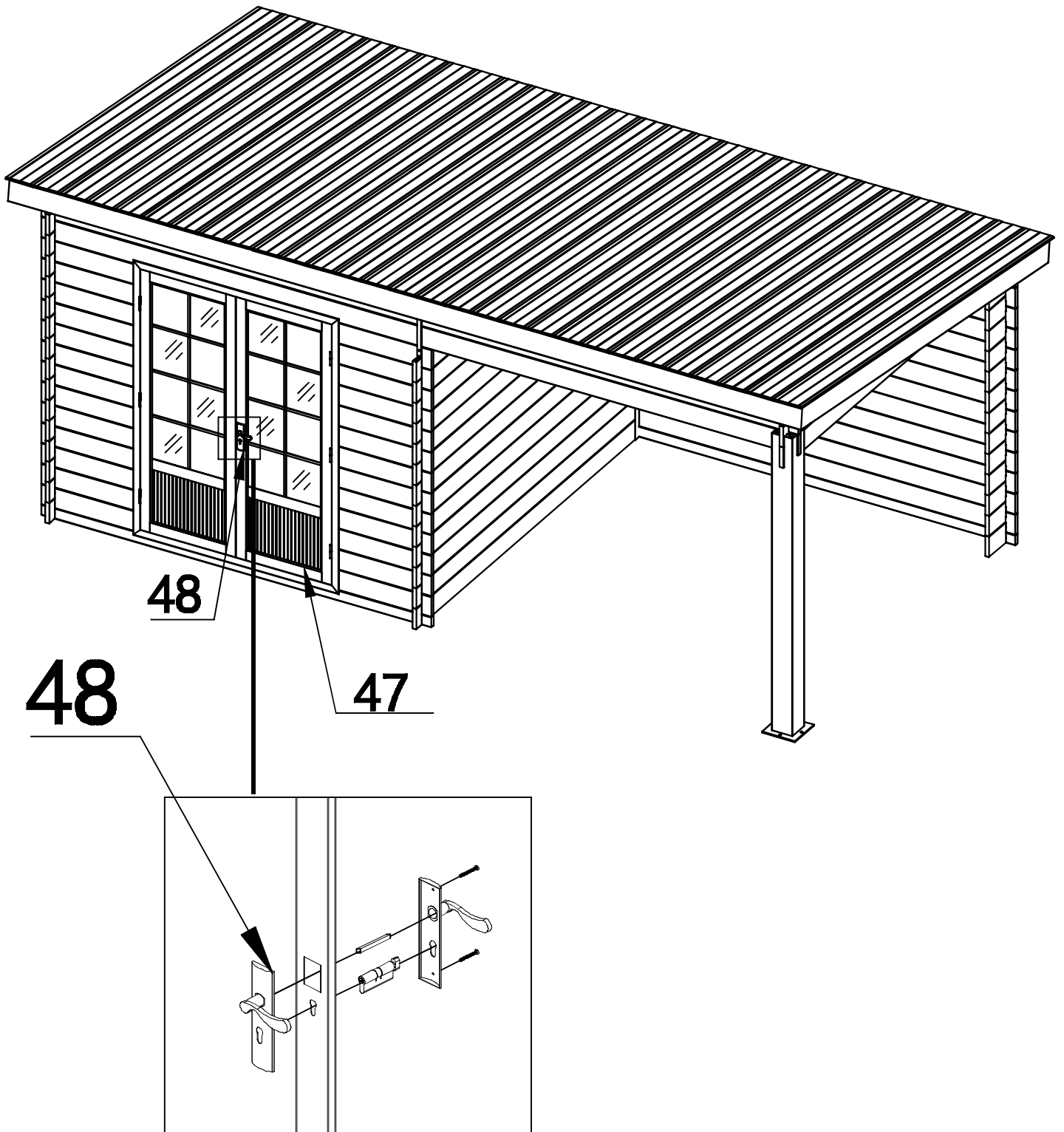




47


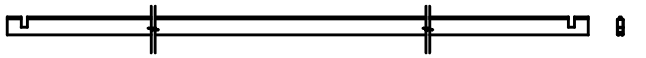
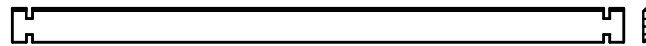

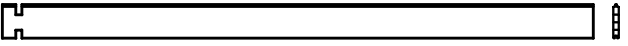


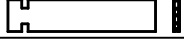
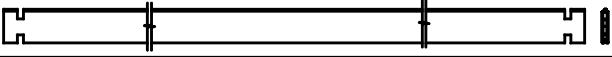
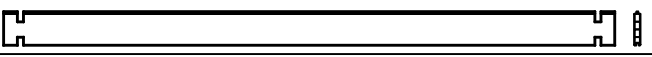
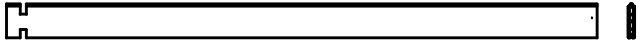

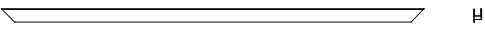

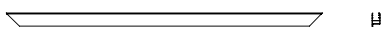
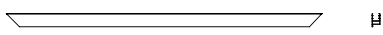


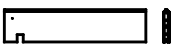
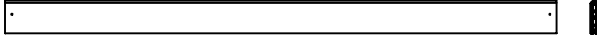


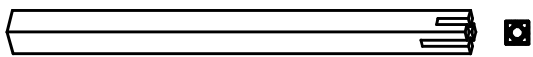
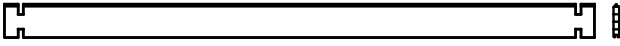
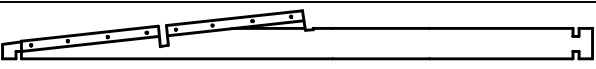


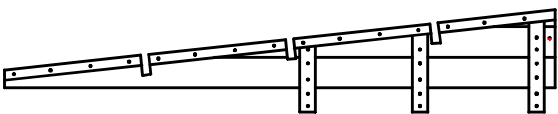
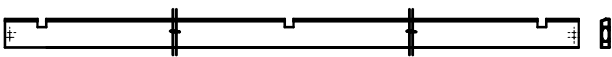
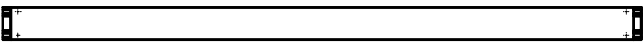
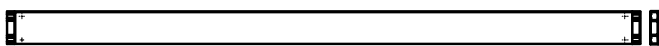



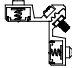


Door opens from outside, Attention the door frame direction.

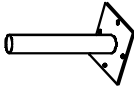
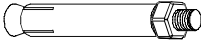



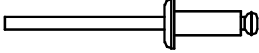


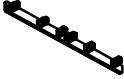
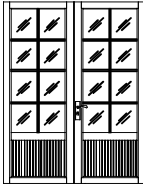



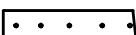

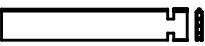
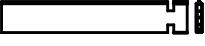
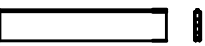


Door handle installation

Spare Parts

NU	STRUCTURE	DESCRIPTION	QTY
1		Aluminum Wall panel B 85*28 L=2835mm	1
2		Aluminum Wall panel B 85*28 L=5510mm	1
3		Aluminum Wall panel A 160*28 L=2900mm	2
4		Aluminum Wall panel A 160*28 L=300mm	1
5		Aluminum Wall panel A 160*28 L=2805mm	1
6		ALU. strengthen rail 50*33 L=2135mm	1
7		strengthen plank rail 70*10 L=2174mm	1
8		WPC wall panel 160*28 L=698mm	25
9		WPC wall panel 160*28 L=5510mm	15
10		WPC wall panel 160*28 L=2900mm	13
11		WPC wall panel 160*28 L=2805mm	12
12		WPC wall panel 160*28 L=300mm	12
15		Left Aluminum frame for door	1
16		Right Aluminum frame for door	1
17		Upside Aluminum frame for door	1
18		Downside Aluminum frame for door	1

NU	STRUCTURE	DESCRIPTION	QTY
19		WPC wall panel with holes for screws 160*28 L=698mm	1
20		plank wall 160*28 L=2710mm	1
21		ALU. strengthen rail 50*33 L=465mm	1
22		strengthen plank rail 28*10 L=525mm	1
23		post 150*150 L=2169mm	1
24		Aluminum Wall panel A 160*28 L=5510mm	1
25		pediment	2
26		pediment	2
27		pediment	2
28		pediment	1
29		Alu beam 140*40 L=5700mm	3
30		short cornice board 160*40 L=3140mm	2
31		alu long roof panel cover 160*40 L=5780mm	2
32		roof 206*15 L=3200mm	29
33	 M6	blots ste L=35mm	11
34	 M6	blots ste L=25mm	10
35		Door connector	4
36		Door frame mounting	8
37		Allen wrench	1

NU	STRUCTURE	DESCRIPTION	QTY
38		150 Big embedded iron support 240*240 L=500mm	1
39		Expansion Bolts	4
40		screws 4*30	350
41		connector 40*35 L=31mm	6
42		connector 80*80 L=40mm	8
43		connector Ø 4 L=10mm	55
44		End Cap	152
45		Aluminum alloy head	16
46		Tile head	60
47		door	1
48		door handle	1
49		WPC 75*15 L=453mm	2
50		WPC 75*15 L=385mm	2
51		WPC 75*15 L=324mm	2
52		Vent 400*205mm	2
53		WPC wall panel 160*28 L= 500 mm	1
54		WPC wall panel 160*28 L=3255mm	1
55		WPC wall panel 160*28 L=1075mm	1